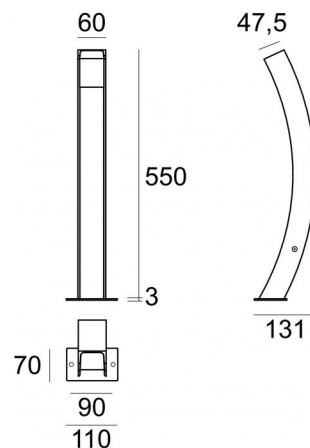




Bollard & Pole | 220-240 V
4 topLED 7 W DC - 9 W AC | CRI 80
64264M00



Technical data	
Designer	Studio RIGO
Type	Bollard
Installation position	Floor
Installation environment	Outdoor
Light Source	LED
Circuit structure	topLED
Optics	Asymmetric 180°
Light emission direction	downward
Nominal power	7 W DC
Total Power	9 W
Source lumens	992 lm
Nominal input voltage	220 - 240 V AC
Input voltage range	220 - 240 V AC
Frequency	50 - 60 Hz
CCT / Tone	2700 K
Colour rendering index	80 Ra
C.C. / C.V.	AC
Safety class	2
IP	IP66
IK	IK09
Glow wire test	850°
Direct mounting on normally flammable surfaces	Yes
CE	Yes
Driver included	Driver
Dimmable article	No
Directional	No
Tilting	No
Walk-over	No
Drive-over	No
Cable included	No
Resin potting	No
Type of light emission	Single emission
Net weight	1,78 Kg
Electrostatic discharge protection	4 KV
Surge protection	0,5 KV

Finishing casing	
Material	Aluminium 6060
Colour	Dark brown
Processing	Open pore anodizing + Powder Coating
Finishing diffuser	
Material	UV Resistant Polycarbonate
Colour	opaline
Finishing base	
Material	Galvanised Iron
Colour	Dark brown
Processing	Powder coating

Bollard & Pole | 220-240 V | 4 topLED 7 W DC - 9 W AC | CRI 80 | Base
64264M00

Single emission bollard & pole for outdoor application. The super warm white LED light source with a asymmetric 180° light distribution is composed of 4 powered LEDs with CCT of 2700 K and a CRI 80; the source luminous flux is 992 lm, with a 141.7 lm/W nominal luminous efficacy.

The device body is made of aluminium 6060 and features a dark brown finish, processed by means of open pore anodizing + powder coating; the diffuser is made of uv resistant polycarbonate. The ingress protection degree is IP66;

The total absorbed power is 9 W.

The device features protection class II and can be floor-mounted.

Compliant with the EN 60598-1 standard and its specific provisions.

Energy efficiency class

This product contains a light source of energy efficiency class D.

Illuminotechnical Features

Light Output Ratio (LOR)	35 %
Source lumens	992 lm
Delivered lumens	352 lm
Consumption	9 W
Luminaire efficacy	39 lm/W
Colour temperature	2700 K
Standard Deviation of Colour Matching	3 Step MacAdam
Colour rendering index	80 Ra

Standard Operating Ambient Temperature -20 / +50°C

Ordinary temperature on the glass 40°C

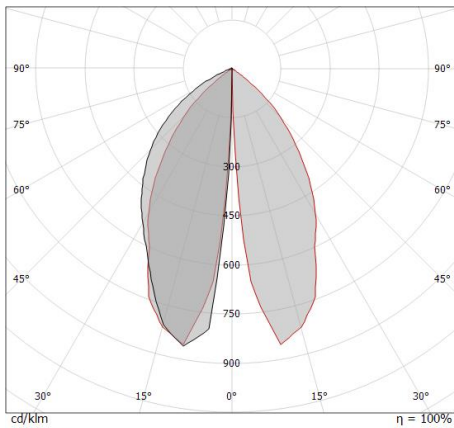
LED Life / Failure Ratio

L70 B20 C10 108000h (at Tj 65 Ta 25)

OPTICAL

C0/C180 optics 68°

Light distribution symmetry Asymmetrical

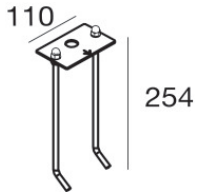


Distance [m]	Cone diameter [m]	Illuminance [lx]	E(0°)	E(C0)
0.5	0.67	343	0	343
1.0	1.35	86	0	86
1.5	2.02	38	0	38
2.0	2.70	21	0	21
2.5	3.37	14	0	14
3.0	4.05	10	0	10

Distance [m] Cone diameter [m] Illuminance [lx]
 — C0/C180 (Half-peak divergence: 68.0°)



Apache | Bollard & Pole | Accessories
64264M00



Picket
installation position: floor,Cover material: aisi 304 steel

Code
64210