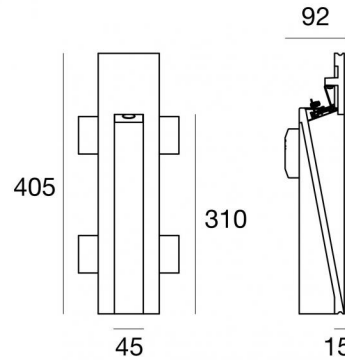




Wall Lights | 220-240 V | 1 x powerLED 1 W DC 500 mA | CRI 80  
**60680N70**



**KIT**  
 LED lamp  
 + Driver



415 x  
 105

## Technical data

Type	Encasement with flange - -
Installation position	Wall lights
Installation environment	Indoor
Light Source	LED
Circuit structure	powerLED
Optics	Wide Flood
Light emission direction	downward
Nominal power	1 W DC
Source lumens	175 lm
Nominal input voltage	220 - 240 V AC
Input voltage range	500mA
Frequency	60 - 50 Hz
CCT / Tone	4000 K
Colour rendering index	80 Ra
C.C. / C.V.	CC
Safety class	3
IP	IP20
Glow wire test	850°
Direct mounting on normally flammable surfaces	Yes
CE	Yes
Driver included	Driver
Dimmable article	No
Directional	No
Tilting	No
Walk-over	No
Drive-over	No
Cable included	No
Resin potting	No
Type of light emission	Single emission
Net weight	1.680 Kg
Electrostatic discharge protection	Yes
Surge protection	No

## Finishing casing

Material	plaster
Colour	white

## Finishing diffuser

Material	Glass
Colour	transparent

## Electronics included in the kit

**012000139000**  
 On/Off Driver 220~240V AC / 176~276V DC (- art.)  
 Electrical insulation class 2



Wall Lights | 220-240 V | 1 x powerLED 1 W DC 500 mA | CRI 80 | Base 60680N70

Single emission wall lights for indoor application. The natural white LED light source with a wide flood light distribution is composed of 1 powered LEDs with CCT of 4000 K and a CRI 80; the source luminous flux is 175 lm, with a 175.0 lm/W nominal luminous efficacy.

The device body is made of plaster and features a white finish; the diffuser is made of glass. The ingress protection degree is IP20; the total weight is of 1.680 kg.

The total absorbed power is 2.7 W.

The device features protection class III and can be wall lights-mounted, with a 415 x 105 mm hole (in plasterboard) with an outer casing, code 64180(for concrete or masonry).

Compliant with the EN 60598-1 standard and its specific provisions.

### Energy efficiency class

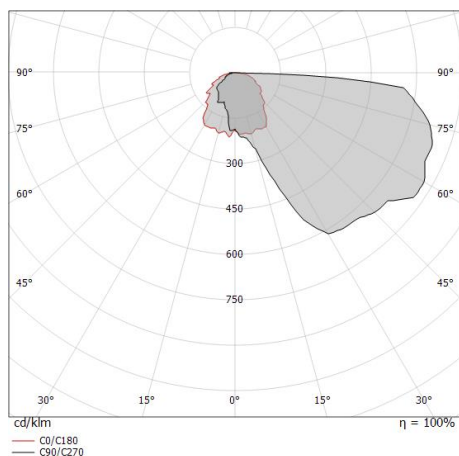
This product contains a light source of energy efficiency class F.

### Illuminotecnical Features

Light Output Ratio (LOR)	37 %
Source lumens	175 lm
Delivered lumens	65 lm
Consumption	2.7 W
Luminaire efficacy	24 lm/W
Colour temperature	4000 K
Standard Deviation of Colour Matching	1/16 ANSI BIN
Colour rendering index	80 Ra
Junction temperature (lighting fixture)	80
Standard Operating Ambient Temperature	25°C
Ordinary temperature on the glass	40°C

### LED Life / Failure Ratio

L70 B10 C0 361980h (at Tj 60 Ta 25 )





Wall Lights | 220-240 V | 1 x powerLED 1 W DC 500 mA | CRI 80 | Base

**60680N70**

Single emission wall lights for indoor application. The natural white LED light source with a wide flood light distribution is composed of 1 powered LEDs with CCT of 4000 K and a CRI 80; the source luminous flux is 175 lm, with a 175.0 lm/W nominal luminous efficacy.

The device body is made of plaster and features a white finish; the diffuser is made of glass. The ingress protection degree is IP20; the total weight is of 1.680 kg.

The total absorbed power is 2.7 W.

The device features protection class III and can be wall lights-mounted, with a 415 x 105 mm hole (in plasterboard) with an outer casing, code 64180(for concrete or masonry).

Compliant with the EN 60598-1 standard and its specific provisions.

### Energy efficiency class

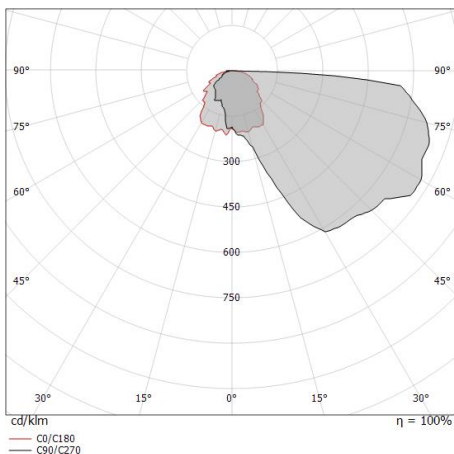
This product contains a light source of energy efficiency class F.

### Illuminotecnical Features

Light Output Ratio (LOR)	48 %
Source lumens	175 lm
Delivered lumens	84 lm
Consumption	2.7 W
Luminaire efficacy	31 lm/W
Colour temperature	4000 K
Standard Deviation of Colour Matching	1/16 ANSI BIN
Colour rendering index	80 Ra
Junction temperature (lighting fixture)	80
Standard Operating Ambient Temperature	25°C
Ordinary temperature on the glass	40°C

### LED Life / Failure Ratio

L70 B10 C0 361980h (at Tj 60 Ta 25 )





Wall Lights | 220-240 V | 1 x powerLED 1 W DC 500 mA | CRI 80 | Base

**60680N70**

Single emission wall lights for indoor application. The natural white LED light source with a wide flood light distribution is composed of 1 powered LEDs with CCT of 4000 K and a CRI 80; the source luminous flux is 175 lm, with a 175.0 lm/W nominal luminous efficacy.

The device body is made of plaster and features a white finish; the diffuser is made of glass. The ingress protection degree is IP20; the total weight is of 1.680 kg.

The total absorbed power is 2.7 W.

The device features protection class III and can be wall lights-mounted, with a 415 x 105 mm hole (in plasterboard) with an outer casing, code 64180(for concrete or masonry).

Compliant with the EN 60598-1 standard and its specific provisions.

### Energy efficiency class

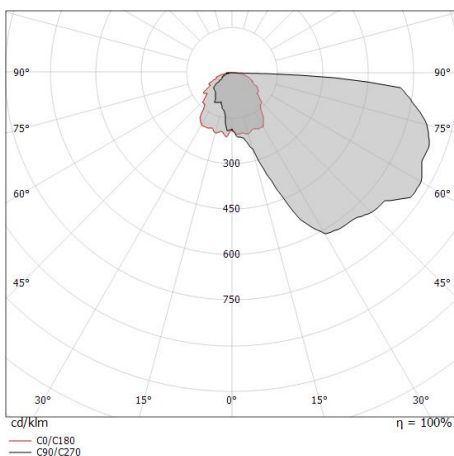
This product contains a light source of energy efficiency class F.

### Illuminotecnical Features

Light Output Ratio (LOR)	34 %
Source lumens	175 lm
Delivered lumens	61 lm
Consumption	2.7 W
Luminaire efficacy	22 lm/W
Colour temperature	4000 K
Standard Deviation of Colour Matching	1/16 ANSI BIN
Colour rendering index	80 Ra
Junction temperature (lighting fixture)	80
Standard Operating Ambient Temperature	25°C
Ordinary temperature on the glass	40°C

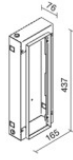
### LED Life / Failure Ratio

L70 B10 C0 361980h (at Tj 60 Ta 25 )





Gypsum\_Wf3 | Step Lights | Accessories  
**60680N70**



Outer casing - formwork for concrete

Type of installation: masonry L=165mm, H=437mm, D=76mm.

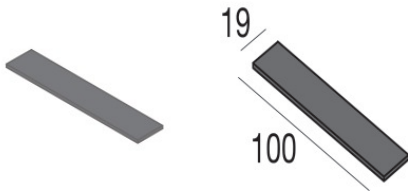
Material:Iron, colour:zinc, processing:Galvanising.

**Finish**

Grey

**Code**

64180



Spacer - KIT thicknesses for installation on plasterboard

**Code**

60830