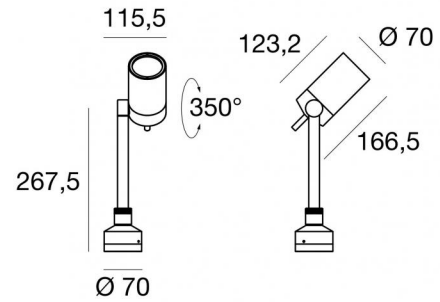




Bollard & Pole | 220-240 V | 1xGU10  
51395



Technical data	
Type	Midi
Installation position	Floor
Installation environment	Outdoor
Lamp cap	1 x GU10
Optics	Diffused
Safety class	1
IP	IP65
IK	IK06
Glow wire test	850°
Direct mounting on normally flammable surfaces	Yes
CE	Yes
Dimmable article	No
Directional	Swivelling
total angle (vertical plane)	350 °
total angle (horizontal plane)	295 °
Tilting	No
Walk-over	No
Drive-over	No
Cable included	No
Resin potting	No
Net weight	1.117 Kg

Finishing casing	
Material	Aluminium
Colour	grey RAL 9006
Processing	Coating
Finishing diffuser	
Material	Glass
Colour	transparent



Bollard & Pole | 220-240 V | 1xGU10  
**51395**

Standard Operating Ambient Temperature	-20 / +50°C
--	-------------

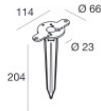
<b>LED Life / Failure Ratio</b>
---------------------------------

Single emission bollard & pole for outdoor application. Compatibility: LED lamp; lamp cap 1xGU10.

The device body is made of aluminium and features a grey ral 9006 finish, processed by means of coating; the diffuser is made of glass. The ingress protection degree is IP65; the total weight is of 1.117 kg.

The device features protection class I and can be floor-mounted.

Compliant with the EN 60598-1 standard and its specific provisions.



Picket  
installation position: land,Cover material: pc

**Code**  
50370