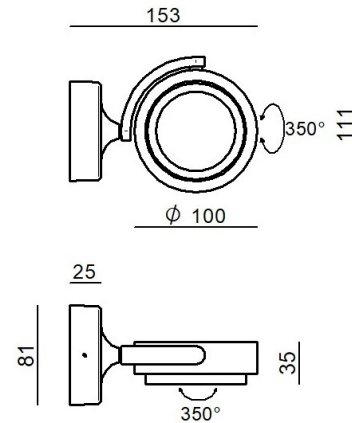


Deckenleuchten - Scheinwerfer | 198-264 V
1 arrayLED 9 W DC - 11 W AC | CRI 90

9911



Technische Daten

Typ	---- Oberfläche
Installationsposition	Wand - Decke
Installationsumgebung	Indoor
Lichtquelle	LED
Circuit structure	arrayLED
Optik	Spot
Light emission direction	downward
Lampe Nennleistung	9 W DC
Gesamtleistung	11 W
Lichtstrom (Lichtquelle)	958 lm
Nominale Eingangsspannung	220 - 240 V AC
Eingangsspannungsbereich	198 - 264 V AC
Frequency	50 - 60 Hz
Ähnlichste Farbtemperatur / Tone	3000 K
Farbwiedergabeindex	90 Ra
Gleichstrom/Gleichspannung	AC
Isolierklasse	1
IP	IP20
Glühdrahtprüfung	850°
Direkte Montage auf normal entflammaren Oberflächen	Ja
CE	Ja
Einschließlich Driver	Driver
Leuchte dimmbar	Phase cut
Schwenkbarkeit	Orientabile
Gesamtwinkel (vertikale Ebene)	350 °
Gesamtwinkel (horizontale Ebene)	350 °
Drehbarkeit	Nein
Begehbarkeit	Nein
Überrollbarkeit	Nein
Einschließlich Kabel	Nein
Harzbeschichtung	Nein
Typ Lichtabstrahlung	Einflammig
Nettogewicht	0.600 Kg
Schutz vor elektrostatischen Entladungen	Nein
Schutz vor Stoßspannungen	Nein

Oberfläche Gehäuse

Material	Aluminium
Farbe	Schwarz
Bearbeitungstyp	Lackierung

Oberfläche Diffusor

Material	PC
Farbe	Opal

Deckenleuchten - Scheinwerfer | 198-264 V | 1 arrayLED 9 W DC - 11 W AC | CRI 90 9911

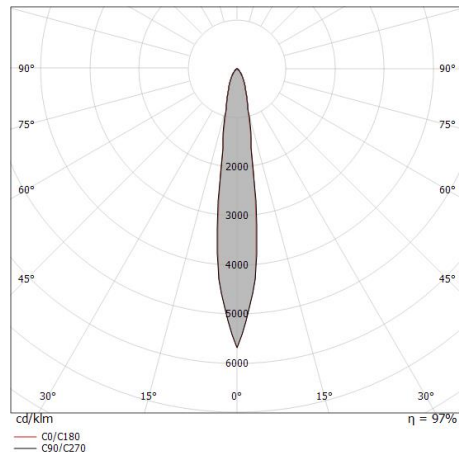
Single emission ceiling downlights, projectors or projectors for indoor application. The warm white LED light source with a spot light distribution is composed of 1 topped LEDs with CCT of 3000 K and a CRI 90; the source luminous flux is 958 lm, with a 106.4 lm/W nominal luminous efficacy.

The device body is made of aluminium and features a black finish, processed by means of coating; the diffuser is made of PC. The ingress protection degree is IP20; the total weight is of 0.600 kg.

The total absorbed power is 11 W.

The device features protection class I and can be wall lights or ceiling-mounted.

Compliant with the EN 60598-1 standard and its specific provisions.



Distance [m]	Cone diameter [m]	Illuminance [lx]
0.5	0.14	$E(0^\circ)$ 19490 $E(C0)$ 9494
1.0	0.27	$E(0^\circ)$ 4872 $E(C0)$ 2373
1.5	0.41	$E(0^\circ)$ 2166 $E(C0)$ 1055
2.0	0.54	$E(0^\circ)$ 1218 $E(C0)$ 593
2.5	0.68	$E(0^\circ)$ 780 $E(C0)$ 380
3.0	0.81	$E(0^\circ)$ 541 $E(C0)$ 264

Distance [m] Cone diameter [m] Illuminance [lx]

— C0/C180 (Half-peak divergence: 15.4°)

Energieeffizienzklasse

ieses Produkt enthält eine Lichtquelle der Energieeffizienzklasse F.

Illuminotechnical Eigenschaften

Light Output Ratio (LOR)	89 %
Lichtstrom (Lichtquelle)	958 lm
Leuchten Lichtstrom	856 lm
Consumption	11 W
Leuchten Lichtausbeute	77 lm/W
Farbtemperatur	3000 K
Standard Deviation of Colour Matching	3 Step MacAdam
Farbwiedergabeindex	90 Ra
Verbindungstemperatur (Leuchte)	80
Standardumgebungstemperatur	25°C

LED Life / Failure Ratio

L80 B20 C0 80000h

UGR

UGR axial	17.7
UGR transversal	17.8
X=4H Y=8H	S=0.25H
Reflection factor	70/50/20

OPTICAL

Optik C0/C180	15°
Light distribution simmetry	Symmetrical

Deckenleuchten - Scheinwerfer | 198-264 V | 1 arrayLED 9 W DC - 11 W AC | CRI 90

9911

Single emission ceiling downlights, projectors or projectors for indoor application. The warm white LED light source with a spot light distribution is composed of 1 topped LEDs with CCT of 3000 K and a CRI 90; the source luminous flux is 958 lm, with a 106.4 lm/W nominal luminous efficacy.

The device body is made of aluminium and features a black finish, processed by means of coating; the diffuser is made of PC. The ingress protection degree is IP20; the total weight is of 0.600 kg.

The total absorbed power is 11 W.

The device features protection class I and can be wall lights or ceiling-mounted.

Compliant with the EN 60598-1 standard and its specific provisions.

Energieeffizienzklasse

ieses Produkt enthält eine Lichtquelle der Energieeffizienzklasse F.

Illuminotechnical Eigenschaften

Light Output Ratio (LOR)	83 %
Lichtstrom (Lichtquelle)	958 lm
Leuchten Lichtstrom	796 lm
Consumption	11 W
Leuchten Lichtausbeute	72 lm/W
Farbtemperatur	3000 K
Standard Deviation of Colour Matching	3 Step MacAdam
Farbwiedergabeindex	90 Ra
Verbindungstemperatur (Leuchte)	80
Standardumgebungstemperatur	25°C

LED Life / Failure Ratio

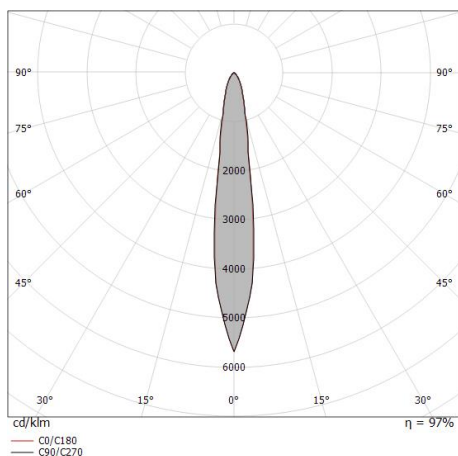
L80 B20 C0 80000h

UGR

UGR axial	17.5
UGR transversal	17.5
X=4H Y=8H	S=0.25H
Reflection factor	70/50/20

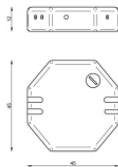
OPTICAL

Optik C0/C180	15°
Light distribution simmetry	Symmetrical



Distance [m]	Cone diameter [m]	illuminance [lx]
0.5	0.14	E(0°) 18124 E(C0) 8828
1.0	0.27	E(0°) 4531 E(C0) 2267
1.5	0.41	E(0°) 2014 E(C0) 981
2.0	0.54	E(0°) 1133 E(C0) 552
2.5	0.68	E(0°) 725 E(C0) 353
3.0	0.81	E(0°) 503 E(C0) 245

— C0/C180 (Half-peak divergence: 15.4°)



Dimmer
220-240V

Code

KIT0026