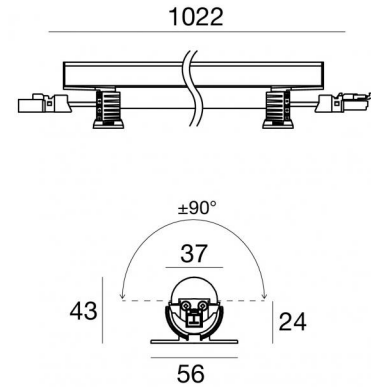




Lineare Elemente | 147 topLED 27 W DC 24 V
CRI 80
94115W00



| Technische Daten | |
|---|----------------------|
| Typ | Oberfläche |
| Installationsposition | Wand - Decke - Boden |
| Installationsumgebung | Indoor |
| Lichtquelle | LED |
| Circuit structure | topLED |
| Optik | Diffuses |
| Light emission direction | upward |
| Lampe Nennleistung | 27 W DC |
| Lichtstrom (Lichtquelle) | 3132 lm |
| Ähnlichste Farbtemperatur / Tone | 3000 K |
| Farbwiedergabeindex | 80 Ra |
| Gleichstrom/Gleichspannung | CV |
| Isolierklasse | 3 |
| IP | IP40 |
| IK | IK08 |
| Glühdrahtprüfung | 850° |
| Direkte Montage auf normal entflammaren Oberflächen | Ja |
| CE | Ja |
| Einschließlich Driver | Nein |
| Leuchte dimmbar | DALI - 1-10V |
| Schwenkbarkeit | Orientabile |
| Gesamtwinkel (vertikale Ebene) | 180 ° |
| Drehbarkeit | Nein |
| Begehbarkeit | Nein |
| Überrollbarkeit | Nein |
| Einschließlich Kabel | Ja |
| Kabellänge | 0.02 m |
| Harzbeschichtung | Nein |
| Typ Lichtabstrahlung | Einflammig |
| Nettogewicht | 0.435 Kg |
| Schutz vor elektrostatischen Entladungen | Nein |
| Schutz vor Stoßspannungen | Nein |
| Technische Merkmale des Produkts | UV Resistant |

Oberfläche Gehäuse

| | |
|-----------------|----------------------|
| Material | Aluminium 6060 |
| Farbe | Eloxiertes Aluminium |
| Bearbeitungstyp | Anodisierung 20 µm |


Oberfläche Diffusor


| | |
|----------|----------------------------|
| Material | Polycarbonat UV-beständige |
|----------|----------------------------|


Oberfläche bügel


| | |
|----------|----------------------------|
| Material | Polycarbonat UV-beständige |
| Farbe | transparent |

Elektronik

| | |
|---|---|
|  | 99331 On/Off Driver 198~264V AC / 176~275V DC 150 W (1 - 5 art.) |
|---|---|

| | |
|---|--|
|  | 99332 1-10V Controller (1 - 5 art.) |
|---|--|

| | |
|---|--|
|  | 99374 On/Off Driver 198~264V AC / 176~275V DC 75 W (1 - 2 art.) |
|---|--|

| | |
|---|---|
|  | 83333 Push and Simply Dim - DALI-2 Controller (1 - 5 art.) |
|---|---|

| | |
|---|---|
|  | C-E400002 Push and Simply Dim - DALI-2 Controller (1 - 8 art.) |
|---|---|

Cables Electrification

| | |
|-----------------|-----------------|
| Cable connector | Male Plug 2 Pin |
|-----------------|-----------------|

| | |
|-----------------|---------------------|
| Cable connector | Female Socket 2 Pin |
|-----------------|---------------------|

Lineare Elemente | 147 topLED 27 W DC 24 V | CRI 80 94115W00

Single emission lines for indoor application. The warm white LED light source with a diffused light distribution is composed of 147 topLEDs with CCT of 3000 K and a CRI 80; the source luminous flux is 3132 lm, with a 116.0 lm/W nominal luminous efficacy.

The device body is made of aluminium 6060 and features a anodised aluminum finish, processed by means of 20 µm anodizing; the diffuser is made of uv resistant polycarbonate. The ingress protection degree is IP40; the total weight is of 0.435 kg. The power supply driver is not provided and is to be ordered separately.

The total absorbed power is 27 W. The power supply cable is included and features a 0.02 m length.

The device features protection class III and can be wall lights, ceiling or floor-mounted.

Compliant with the EN 60598-1 standard and its specific provisions.

Energieeffizienzklasse

Dieses Produkt enthält 3 Lichtquellen der Energieeffizienzklasse D.

Illuminotechnical Eigenschaften

| | |
|---------------------------------------|----------------|
| Light Output Ratio (LOR) | 79 % |
| Lichtstrom (Lichtquelle) | 3132 lm |
| Leuchten Lichtstrom | 2489 lm |
| Consumption | 27 W |
| Leuchten Lichtausbeute | 92 lm/W |
| Farbtemperatur | 3000 K |
| Standard Deviation of Colour Matching | 3 Step MacAdam |
| Farbwiedergabeindex | 80 Ra |
| Standardumgebungstemperatur | -20 / +50°C |
| Typische Temperatur am Glas | 40°C |

LED Life / Failure Ratio

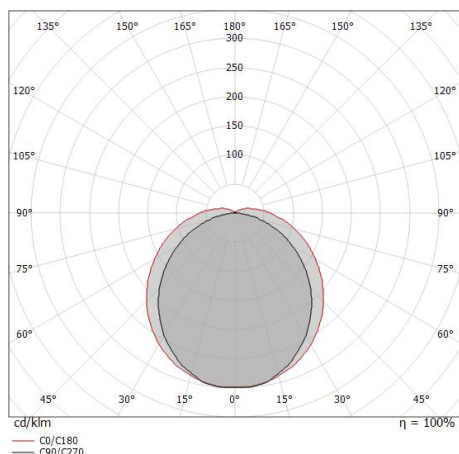
L70 B10 C0 145770h (at Tj 65 Ta 25)

UGR

| | |
|-------------------|----------|
| UGR axial | 30.1 |
| UGR transversal | 34.2 |
| X=4H Y=8H | S=0.25H |
| Reflection factor | 70/50/20 |

OPTICAL

| | |
|-----------------------------|---------------------|
| Optik C90/C270 | 105° |
| Optik C0/C180 | 126° |
| Light distribution simmetry | Symmetrical 2 assis |



| Distance [m] | Cone diameter [m] | illuminance [lx] |
|--------------|-------------------|---------------------------------------|
| 0.5 | 1.29 1.95 | E(0°) 2979 E(C90) 342 E(C0) 141 |
| 1.0 | 2.59 3.91 | E(0°) 745 E(C90) 86 E(C0) 35 |
| 1.5 | 3.88 5.86 | E(0°) 331 E(C90) 38 E(C0) 16 |
| 2.0 | 5.18 7.82 | E(0°) 186 E(C90) 21 E(C0) 9 |
| 2.5 | 6.47 9.77 | E(0°) 119 E(C90) 14 E(C0) 6 |
| 3.0 | 7.76 11.73 | E(0°) 83 E(C90) 10 E(C0) 4 |

— C0/C180 (Half-peak divergence: 125.8°)
— C90/C270 (Half-peak divergence: 104.6°)



Kabel und Stecker

Länge 250 mm; isolierung einzeln; querschnitt 1.5 mm²; außendurchmesser: 2x3,4 mm;
farben: schwarz - rot.

Code

98879



Kabel und Stecker

Länge 1000 mm; isolierung einzeln; querschnitt 1.5 mm²; außendurchmesser: 2x3,4 mm;
farben: schwarz - rot.

Code

98878



Klammer

L=975mm, H=3mm, D=56mm.

Material:Eisen, farbe:Zink, bearbeitungstyp :Verzinken.

Finish

Grey

Code

98781