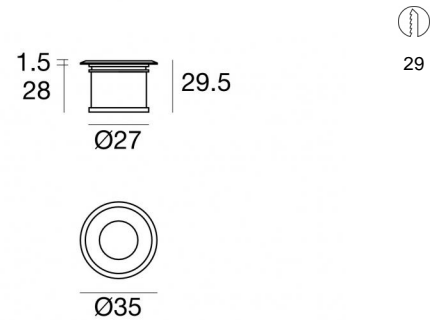




Uplights | 1  
+ 1 x powerLED 2 W DC 350 mA | CRI 80  
**92066M60**





Technische Daten	
Typ	Frame
Installationsposition	Boden
Installationsumgebung	Outdoor
Lichtquelle	LED
Circuit structure	powerLED
Optik	Wide Flood + Wide Flood
Light emission direction	upward + upward
Lampe Nennleistung	2 W DC
Lichtstrom (Lichtquelle)	290 lm
Ähnlichste Farbtemperatur / Tone	2700 K
Farbwiedergabeindex	80 Ra
Gleichstrom/Gleichspannung	CC
Isolierklasse	3
IP	IP66
IK	IK05
Glühdrahtprüfung	850°
Direkte Montage auf normal entflammaren Oberflächen	Ja
CE	Ja
Einschließlich Driver	Nein
Leuchte dimmbar	DALI - 1-10V
Schwenkbarkeit	Nein
Drehbarkeit	Nein
Begehbarkeit	Ja
Überrollbarkeit	Nein
Einschließlich Kabel	Ja
Kabellänge	1 m
Harzbeschichtung	Ja
Typ Lichtabstrahlung	Einflammig
Nettogewicht	0.062 Kg
Schutz vor elektrostatischen Entladungen	Nein
Schutz vor Stoßspannungen	Nein
Technische Merkmale des Produkts	TVS


### Oberfläche Gehäuse

Material	Messing OT58
Farbe	Chrom
Bearbeitungstyp	Elektrolytische Verchromung

### Elektronik

	89421 On/Off Driver 198~264V AC / 176~275V DC (2 - 3 art.)
--	---

	89419 On/Off Driver 198~264V AC / 176~275V DC (1 art.)
---	---

	C-E200006 On/Off Driver 198~264V AC / 180~275V DC (3 - 6 art.)
---	---

### Cables Electrification

Cable connector	No
-----------------	----

## Uplights | 1 + 1 x powerLED 2 W DC 350 mA | CRI 80 92066M60

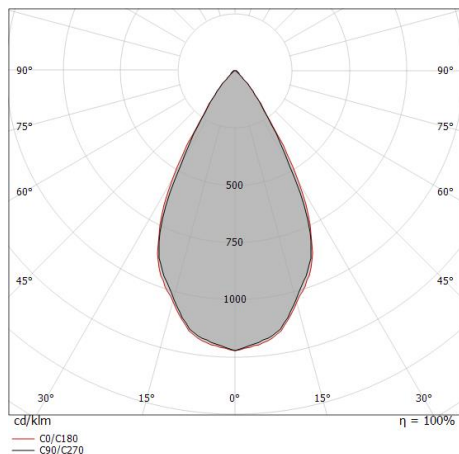
Single emission uplights for outdoor application. The super warm white LED light source with a wide flood light distribution is composed of 1 powered LEDs with CCT of 2700 K and a CRI 80; the source luminous flux is 145 lm, with a 145.0 lm/W nominal luminous efficacy. The super warm white LED light source with a wide flood light distribution is composed of 1 powered LEDs with CCT of 2700 K and a CRI 80; the source luminous flux is 145 lm, with a 145.0 lm/W nominal luminous efficacy.

The device body is made of ot58 brass and features a chrome finish, processed by means of galvanic chromium plating. The ingress protection degree is IP66; the total weight is of 0.062 kg. The power supply driver is not provided and is to be ordered separately.

The total absorbed power is 2 W. The power supply cable is included and features a 1 m length.

The device features protection class III and can be floor-mounted, with a 29 mm diameter hole (in plasterboard) with an outer casing, code 84915(for concrete or masonry).

Compliant with the EN 60598-1 standard and its specific provisions.



Distance [m]	Cone diameter [m]	illuminance [lx]
0.5	0.53 0.55	E(0°) 387 E(C90) 134 E(C0) 130
1.0	1.06 1.10	E(0°) 97 E(C90) 33 E(C0) 33
1.5	1.59 1.65	E(0°) 43 E(C90) 15 E(C0) 14
2.0	2.12 2.20	E(0°) 24 E(C90) 8 E(C0) 8
2.5	2.65 2.75	E(0°) 15 E(C90) 5 E(C0) 5
3.0	3.18 3.30	E(0°) 11 E(C90) 4 E(C0) 4

Distance [m]      Cone diameter [m]      illuminance [lx]

— C0/C180 (Half-peak divergence: 57.6°)  
— C90/C270 (Half-peak divergence: 55.8°)

### Energieeffizienzklasse

Dieses Produkt enthält 2 Lichtquellen der Energieeffizienzklasse D.

### Illuminotechnical Eigenschaften

Light Output Ratio (LOR)	27 %
Lichtstrom (Lichtquelle)	290 lm
Leuchten Lichtstrom	80 lm
Consumption	1,0 W
Leuchten Lichtausbeute	80 lm/W
Farbtemperatur	2700 K
Standard Deviation of Colour Matching	1.5 Step
Farbwiedergabeindex	80 Ra
Standardumgebungstemperatur	-20 / +50°C
Typische Temperatur am Glas	40°C

### LED Life / Failure Ratio

L70 B10 C0 361980h (at Tj 60 Ta 25 )

### UGR

UGR axial	20.4
UGR transversal	20.5
X=4H   Y=8H	S=0.25H
Reflection factor	70/50/20

### OPTICAL

Optik C0/C180	56°
Light distribution simmetry	Symmetrical



Beret\_R | Uplights | Accessories  
**92066M60**



Einbaugehäuse

installationsposition: wand; typ installation: mauerwerk L=49mm, H=60mm, D=60mm.  
Material:Kunststoff ABS, farbe:Schwarz.

**Code**

84915



Einbaugehäuse

installationsposition: decke; typ installation: mauerwerk L=42mm, H=35mm, D=35mm.  
Material:Kunststoff ABS, farbe:Schwarz.

**Code**

84336