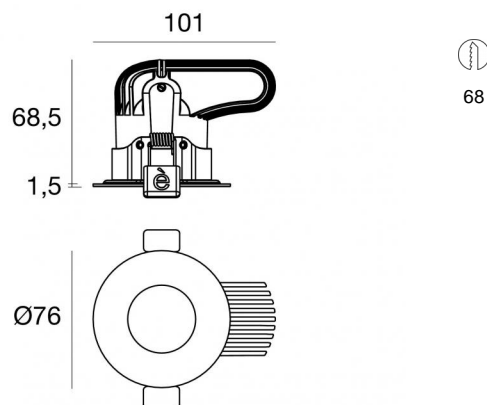


Downlights | 1 arrayLED 12.5 W DC 350 mA | CRI 90
91749M30



| Technische Daten | |
|---|--------------|
| Installationsposition | Decke |
| Installationsumgebung | Indoor |
| Lichtquelle | LED |
| Circuit structure | arrayLED |
| Optik | Flood |
| Light emission direction | downward |
| Lampe Nennleistung | 12.5 W DC |
| Lichtstrom (Lichtquelle) | 1644 lm |
| Eingangsspannungsbereich | 350mA |
| Ähnlichste Farbtemperatur / Tone | 2700 K |
| Farbwiedergabeindex | 90 Ra |
| Gleichstrom/Gleichspannung | CC |
| Isolierklasse | 3 |
| IP | IP44 |
| IP optisches System | IP65 |
| IK | IK08 |
| Glühdrahtprüfung | 850° |
| Direkte Montage auf normal entflammaren Oberflächen | Ja |
| CE | Ja |
| Einschließlich Driver | Nein |
| Leuchte dimmbar | DALI - 1-10V |
| Schwenkbarkeit | Nein |
| Drehbarkeit | Nein |
| Begehbarkeit | Nein |
| Überrollbarkeit | Nein |
| Einschließlich Kabel | Ja |
| Kabellänge | 0.300 m |
| Harzbeschichtung | Nein |
| Typ Lichtabstrahlung | Einflammig |
| Nettogewicht | 0.26 Kg |
| Schutz vor elektrostatischen Entladungen | Nein |
| Schutz vor Stoßspannungen | Nein |

Oberfläche Gehäuse

| | |
|-----------------|--|
| Material | Stranggepresstes Aluminium EN AB - 46100 |
| Farbe | Weiß |
| Bearbeitungstyp | Pulverbeschichtung |

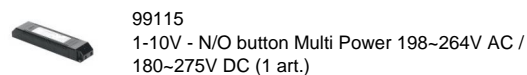
Oberfläche Diffusor

| | |
|----------|----------------------------|
| Material | Polycarbonat UV-beständige |
| Farbe | transparent |

Oberfläche strahler

| | |
|-----------------|--|
| Material | Stranggepresstes Aluminium EN AB - 46100 |
| Farbe | Aluminium |
| Bearbeitungstyp | Polieren |

Elektronik



Cables Electrification

| | |
|-----------------|-----------------------|
| Cable connector | MALE JST SMR-02V-B |
| Cable connector | FEMALE JST SMR-02V-BC |



Downlights | 1 arrayLED 12.5 W DC 350 mA | CRI 90 91749M30

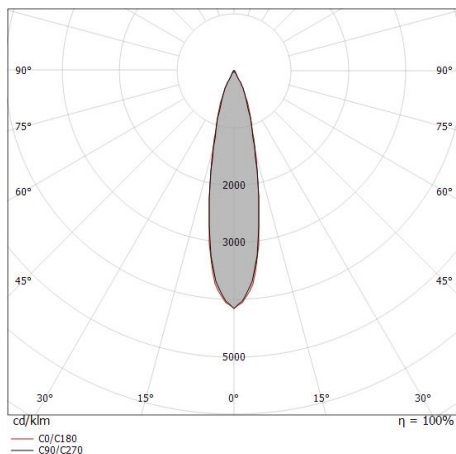
Single emission recessed downlights for indoor application. The super warm white LED light source with a flood light distribution is composed of 1 arrayLEDs with CCT of 2700 K and a CRI 90; the source luminous flux is 1644 lm, with a 131.5 lm/W nominal luminous efficacy.

The device body is made of die-cast aluminium en ab - 46100 and features a white finish, processed by means of powder coating; the diffuser is made of uv resistant polycarbonate. The ingress protection degree is IP44; the total weight is of 0.26 kg. The power supply driver is not provided and is to be ordered separately.

The total absorbed power is 12.5 W. The power supply cable is included and features a 0.300 m length.

The device features protection class III and can be ceiling-mounted, with a 68 mm diameter hole (in plasterboard).

Compliant with the EN 60598-1 standard and its specific provisions.



| Distance [m] | Cone diameter [m] | illuminance [lx] |
|--------------|-------------------|--|
| 0.5 | 0.21 0.21 | E(0°) 23433 E(C90) 11139 E(C0) 11099 |
| 1.0 | 0.41 0.41 | E(0°) 5858 E(C90) 2785 E(C0) 2775 |
| 1.5 | 0.62 0.62 | E(0°) 2604 E(C90) 1238 E(C0) 1233 |
| 2.0 | 0.82 0.83 | E(0°) 1465 E(C90) 696 E(C0) 694 |
| 2.5 | 1.03 1.04 | E(0°) 937 E(C90) 446 E(C0) 444 |
| 3.0 | 1.23 1.24 | E(0°) 651 E(C90) 309 E(C0) 308 |

Distance [m] Cone diameter [m] illuminance [lx]

— C0/C180 (Half-peak divergence: 23.4°)
— C90/C270 (Half-peak divergence: 23.2°)

Energieeffizienzklasse

ieses Produkt enthält eine Lichtquelle der Energieeffizienzklasse E.

Illuminotechnical Eigenschaften

| | |
|---------------------------------------|----------------|
| Light Output Ratio (LOR) | 85 % |
| Lichtstrom (Lichtquelle) | 1644 lm |
| Leuchten Lichtstrom | 1412 lm |
| Consumption | 13 W |
| Leuchten Lichtausbeute | 108 lm/W |
| Farbtemperatur | 2700 K |
| Standard Deviation of Colour Matching | 2 Step MacAdam |
| Farbwiedergabeindex | 90 Ra |

| | |
|-----------------------------|-------------|
| Standardumgebungstemperatur | -20 / +50°C |
| Typische Temperatur am Glas | 40°C |

LED Life / Failure Ratio

L70 B10 C0 296960h (at Tj 65 Ta 25)

UGR

| | |
|-------------------|----------|
| UGR transversal | 16.9 |
| UGR axial | 16.9 |
| X=4H Y=8H | S=0.25H |
| Reflection factor | 70/50/20 |

OPTICAL

| | |
|-----------------------------|-------------|
| Optik C0/C180 | 23° |
| Light distribution simmetry | Symmetrical |

Downlights | 1 arrayLED 12.5 W DC 350 mA | CRI 90

91749M30

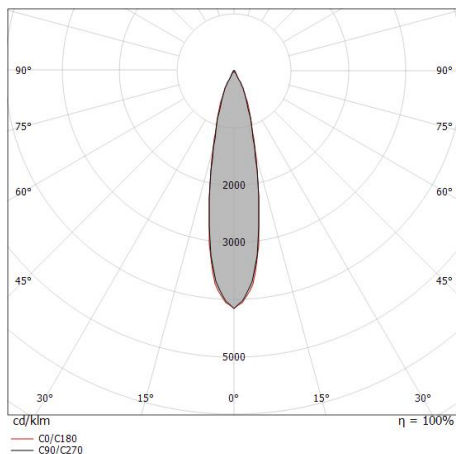
Single emission recessed downlights for indoor application. The super warm white LED light source with a flood light distribution is composed of 1 arrayLEDs with CCT of 2700 K and a CRI 90; the source luminous flux is 1644 lm, with a 131.5 lm/W nominal luminous efficacy.

The device body is made of die-cast aluminium en ab - 46100 and features a white finish, processed by means of powder coating; the diffuser is made of uv resistant polycarbonate. The ingress protection degree is IP44; the total weight is of 0.26 kg. The power supply driver is not provided and is to be ordered separately.

The total absorbed power is 12.5 W. The power supply cable is included and features a 0.300 m length.

The device features protection class III and can be ceiling-mounted, with a 68 mm diameter hole (in plasterboard).

Compliant with the EN 60598-1 standard and its specific provisions.



| Distance [m] | Cone diameter [m] | illuminance [lx] |
|--------------|-------------------|--|
| 0.5 | 0.21 0.21 | E(0°) 15630 E(C90) 11.6° 7430 E(C0) 11.7° 7403 |
| 1.0 | 0.41 0.41 | E(0°) 3907 E(C90) 11.6° 1857 E(C0) 11.7° 1851 |
| 1.5 | 0.62 0.62 | E(0°) 1737 E(C90) 11.6° 826 E(C0) 11.7° 823 |
| 2.0 | 0.82 0.83 | E(0°) 977 E(C90) 11.6° 464 E(C0) 11.7° 463 |
| 2.5 | 1.03 1.04 | E(0°) 625 E(C90) 11.6° 297 E(C0) 11.7° 296 |
| 3.0 | 1.23 1.24 | E(0°) 434 E(C90) 11.6° 206 E(C0) 11.7° 206 |

Distance [m] Cone diameter [m] illuminance [lx]

— C0/C180 (Half-peak divergence: 23.4°)
— C90/C270 (Half-peak divergence: 23.2°)

Energieeffizienzklasse

ieses Produkt enthält eine Lichtquelle der Energieeffizienzklasse E.

Illuminotechnical Eigenschaften

| | |
|---------------------------------------|----------------|
| Light Output Ratio (LOR) | 57 % |
| Lichtstrom (Lichtquelle) | 1644 lm |
| Leuchten Lichtstrom | 942 lm |
| Consumption | 8 W |
| Leuchten Lichtausbeute | 117 lm/W |
| Farbtemperatur | 2700 K |
| Standard Deviation of Colour Matching | 2 Step MacAdam |
| Farbwiedergabeindex | 90 Ra |

| | |
|-----------------------------|-------------|
| Standardumgebungstemperatur | -20 / +50°C |
| Typische Temperatur am Glas | 40°C |

LED Life / Failure Ratio

L70 B10 C0 296960h (at Tj 65 Ta 25)

UGR

| | |
|-------------------|----------|
| UGR transversal | 15.5 |
| UGR axial | 15.5 |
| X=4H Y=8H | S=0.25H |
| Reflection factor | 70/50/20 |

OPTICAL

| | |
|-----------------------------|-------------|
| Optik C0/C180 | 23° |
| Light distribution simmetry | Symmetrical |