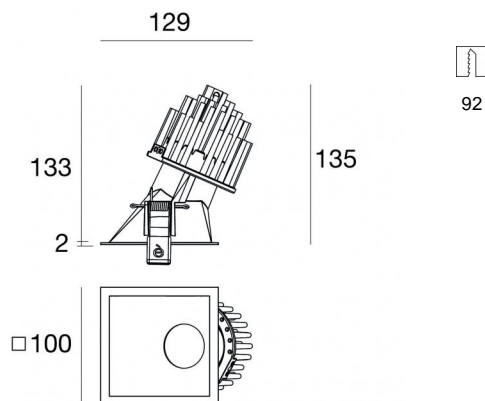




Downlights | 1 arrayLED 15 W DC 400 mA | CRI 90  
90875M60



92

| Technische Daten                                    |                     |
|---|---------------------|
| Installationsposition                               | Decke               |
| Installationsumgebung                               | Indoor              |
| Lichtquelle   | LED                 |
| Circuit structure                                   | arrayLED            |
| Optik   | Medium Wide Flood   |
| Light emission direction                            | downward            |
| Lampe Nennleistung                                  | 15 W DC             |
| Lichtstrom (Lichtquelle)                            | 2214 lm             |
| Eingangsspannungsbereich                            | 400mA               |
| Ähnlichste Farbtemperatur / Tone                    | 2700 K              |
| Farbwiedergabeindex                                 | 90 Ra               |
| Gleichstrom/Gleichspannung                          | CC                  |
| Isolierklasse                                       | 3                   |
| IP  | IP44                |
| IP optisches System                                 | IP65                |
| Glühdrahtprüfung                                    | 850°                |
| Direkte Montage auf normal entflammaren Oberflächen | Ja                  |
| CE  | Ja                  |
| Einschließlich Driver                               | Nein                |
| Leuchte dimmbar                                     | DALI - 1-10V        |
| Schwenkbarkeit                                      | Nein                |
| Drehbarkeit   | Nein                |
| Begehbarkeit  | Nein                |
| Überrollbarkeit                                     | Nein                |
| Einschließlich Kabel                                | Ja                  |
| Kabellänge  | 0.300 m             |
| Harzbeschichtung                                    | Nein                |
| Typ Lichtabstrahlung                                | Einflammig          |
| Nettogewicht  | 0.511 Kg            |
| Schutz vor elektrostatischen Entladungen            | Nein                |
| Schutz vor Stoßspannungen                           | Nein                |
| Optiktechnologie                                    | F.O.L. - Honey comb |

### Oberfläche Gehäuse

|                 |  |
|-----------------|--|
| Material        | Stranggepresstes Aluminium EN AB - 46100 |
| Farbe           | Schwarz                                  |
| Bearbeitungstyp | Pulverbeschichtung                       |


### Oberfläche Diffusor


|          |                            |
|----------|----------------------------|
| Material | Polycarbonat UV-beständige |
| Farbe    | transparent                |

### Oberfläche strahler

|                 |  |
|-----------------|--|
| Material        | Stranggepresstes Aluminium EN AB - 46100 |
| Bearbeitungstyp | Trommelung                               |

### Elektronik

 99740  
Multi Power 198~264V AC / 180~275V DC (1 art.)

 99739  
1-10V Multi Power 198~264V AC / 180~275V DC (1 art.)

 C-E100032  
Push and Simply Dim - DALI-2 Controller (1 art.)

### Cables Electrification

|                       |                |
|-----------------------|----------------|
| IP (locked condition) | 66             |
| Cable connector       | Male Easy plug |

## Downlights | 1 arrayLED 15 W DC 400 mA | CRI 90 90875M60

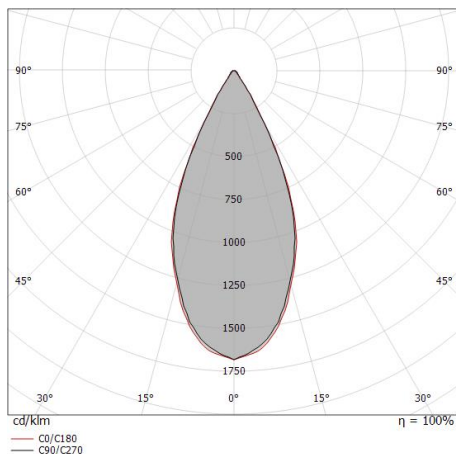
Single emission recessed downlights for indoor application. The super warm white LED light source with a medium wide flood light distribution is composed of 1 arrayed LEDs with CCT of 2700 K and a CRI 90; the source luminous flux is 2214 lm, with a 147.6 lm/W nominal luminous efficacy.

The device body is made of die-cast aluminium en ab - 46100 and features a black finish, processed by means of powder coating; the diffuser is made of uv resistant polycarbonate. The ingress protection degree is IP44; the total weight is of 0.511 kg. The power supply driver is not provided and is to be ordered separately.

The total absorbed power is 15 W. The power supply cable is included and features a 0.300 m length.

The device features protection class III and can be ceiling-mounted, with a 92 x 92 mm hole (in plasterboard).

Compliant with the EN 60598-1 standard and its specific provisions.



| Distance [m] | Cone diameter [m] | illuminance [lx]                        |
|--------------|-------------------|---|
| 0.5          | 0.43<br>0.44      | E(0°) 4304<br>E(C90) 1675<br>E(C0) 1667 |
| 1.0          | 0.86<br>0.87      | E(0°) 1076<br>E(C90) 419<br>E(C0) 417   |
| 1.5          | 1.29<br>1.31      | E(0°) 478<br>E(C90) 186<br>E(C0) 185    |
| 2.0          | 1.71<br>1.75      | E(0°) 269<br>E(C90) 105<br>E(C0) 104    |
| 2.5          | 2.14<br>2.18      | E(0°) 172<br>E(C90) 67<br>E(C0) 67      |
| 3.0          | 2.57<br>2.62      | E(0°) 120<br>E(C90) 47<br>E(C0) 46      |

— C0/C180 (Half-peak divergence: 47.2°)  
— C90/C270 (Half-peak divergence: 46.4°)

### Energieeffizienzklasse

ieses Produkt enthält eine Lichtquelle der Energieeffizienzklasse E.

### Illuminotechnical Eigenschaften

|                                       |                |
|---------------------------------------|----------------|
| Light Output Ratio (LOR)              | 28 %           |
| Lichtstrom (Lichtquelle)              | 2214 lm        |
| Leuchten Lichtstrom                   | 640 lm         |
| Consumption                           | 15 W           |
| Leuchten Lichtausbeute                | 42 lm/W        |
| Farbtemperatur                        | 2700 K         |
| Standard Deviation of Colour Matching | 2 Step MacAdam |
| Farbwiedergabeindex                   | 90 Ra          |
| Colour Rendering Index                | 60 R9          |
| Black Body Locus                      | On             |
| Standardumgebungstemperatur           | -20 / +50°C    |
| Typische Temperatur am Glas           | 40°C           |

### LED Life / Failure Ratio

L70 B10 C0 252000h (at Tj 65 Ta 25)

### UGR

|                   |          |
|-------------------|----------|
| UGR axial         | 14       |
| UGR transversal   | 14.1     |
| X=4H   Y=8H       | S=0.25H  |
| Reflection factor | 70/50/20 |

### OPTICAL

|                             |             |
|-----------------------------|-------------|
| Optik C0/C180               | 46°         |
| Light distribution simmetry | Symmetrical |

### COLOR VECTOR GRAPHIC

