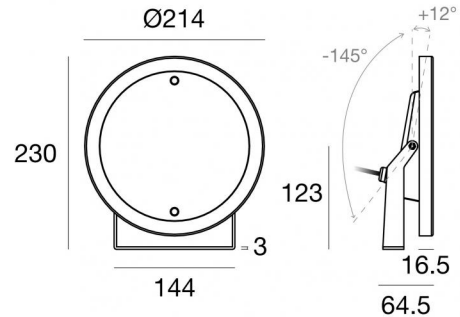




Unterwasserleuchten | 9 x powerLEDs 38 W DC 12 V
CRI 80
84028N20



| Technische Daten | |
|---|----------------------|
| Typ | Oberfläche |
| Installationsposition | Wand - Decke - Boden |
| Installationsumgebung | Outdoor |
| Lichtquelle | LED |
| Circuit structure | powerLEDs |
| Optik | Flood |
| Light emission direction | frontal |
| Lampe Nennleistung | 38 W DC |
| Lichtstrom (Lichtquelle) | 4921 lm |
| Ähnlichste Farbtemperatur / Tone | 4000 K |
| Farbwiedergabeindex | 80 Ra |
| Gleichstrom/Gleichspannung | CV |
| Isolierklasse | 3 |
| IP | IP68 |
| Maximale Einbautiefe | 25 m |
| Installationsbeschränkung | Nur unter Wasser |
| IK | IK10 |
| Glühdrahtprüfung | 850° |
| Direkte Montage auf normal entflammaren Oberflächen | Ja |
| CE | Ja |
| Einschließlich Driver | Nein |
| Leuchte dimmbar | DALI - 1-10V |
| Schwenkbarkeit | Orientabile |
| Gesamtwinkel (vertikale Ebene) | 157 ° |
| Drehbarkeit | Nein |
| Begehbarkeit | Nein |
| Überrollbarkeit | Nein |
| Einschließlich Kabel | Ja |
| Kabellänge | 5 m |
| Harzbeschichtung | Ja |
| Typ Lichtabstrahlung | Einflammig |
| Nettogewicht | 2.86 Kg |
| Schutz vor elektrostatischen Entladungen | Nein |
| Schutz vor Stoßspannungen | Nein |
| Technische Merkmale des Produkts | Acquastop |

Oberfläche Gehäuse

| | |
|----------|-----------------|
| Material | Stahl AISI 316L |
| Farbe | Stahl |





Oberfläche Diffusor

| | |
|-----------------|------------------------------|
| Material | Extra-helles Glas - Gehärtet |
| Farbe | transparent |
| Bearbeitungstyp | Siebdruck |

Oberfläche bügel

| | |
|-----------------|---------------|
| Material | Edelstahl 316 |
| Farbe | Stahl |
| Bearbeitungstyp | Bürsten |

Elektronik

| | |
|---|---|
|  | 83010 On/Off Driver 90~264V AC / 127~370V DC 60 W |
|  | 83015 DALI Controller 90~305V AC / 127~431V DC 120 W |
|  | 83013 On/Off Driver 180~305V AC / 254~431V DC 120 W |
|  | 83012 DALI Controller 90~305V AC / 127~431V DC 60 W |

Unterwasserleuchten | 9 x powerLEDs 38 W DC 12 V | CRI 80 84028N20

Single emission submerged for outdoor application. The natural white LED light source with a flood light distribution is composed of 9 powered LEDs with CCT of 4000 K and a CRI 80; the source luminous flux is 4921 lm, with a 129.5 lm/W nominal luminous efficacy.

The device body is made of aisi 316l steel and features a steel finish; the diffuser is made of extra clear glass - tempered with a silk-screening treatment. The ingress protection degree is IP68; the total weight is of 2.86 kg. The power supply driver is not provided and is to be ordered separately.

The total absorbed power is 38 W. The power supply cable is included and features a 5 m length.

The device features protection class III and can be wall lights, ceiling or floor-mounted.

Compliant with the EN 60598-1 standard and its specific provisions.

Energieeffizienzklasse

Dieses Produkt enthält 3 Lichtquellen der Energieeffizienzklasse E.

Illuminotechnical Eigenschaften

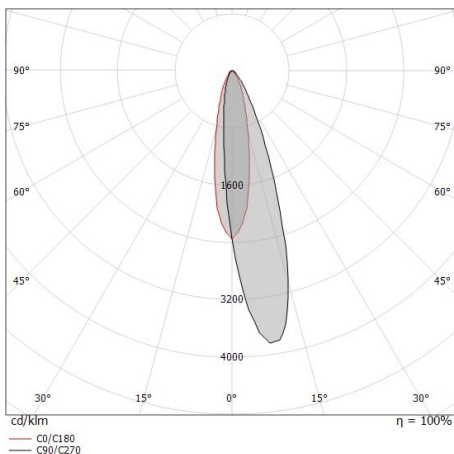
| | |
|---------------------------------------|----------------|
| Light Output Ratio (LOR) | 74 % |
| Lichtstrom (Lichtquelle) | 4921 lm |
| Leuchten Lichtstrom | 3685 lm |
| Consumption | 38 W |
| Leuchten Lichtausbeute | 96 lm/W |
| Farbtemperatur | 4000 K |
| Standard Deviation of Colour Matching | 3 Step MacAdam |
| Farbwiedergabeindex | 80 Ra |
| Standardumgebungstemperatur | -20 / +50°C |
| Typische Temperatur am Glas | 40°C |

LED Life / Failure Ratio

L70 B10 C0 250000h (at Tj 65 Ta 25)

OPTICAL

| | |
|-----------------------------|--------------|
| Optik C0/C180 | 23° |
| Light distribution simmetry | Asymmetrical |



| Distance [m] | Cone diameter [m] | Illuminance [lx] |
|--------------|-------------------|----------------------------|
| 0.5 | 0.21 | E(0°) 34659 E(C0) 16348 |
| 1.0 | 0.41 | E(0°) 8665 E(C0) 4087 |
| 1.5 | 0.62 | E(0°) 3851 E(C0) 1816 |
| 2.0 | 0.83 | E(0°) 2166 E(C0) 1022 |
| 2.5 | 1.04 | E(0°) 1386 E(C0) 654 |
| 3.0 | 1.24 | E(0°) 963 E(C0) 454 |

Distance [m] Cone diameter [m] Illuminance [lx]
— C0/C180 (Half-peak divergence: 23.4°)