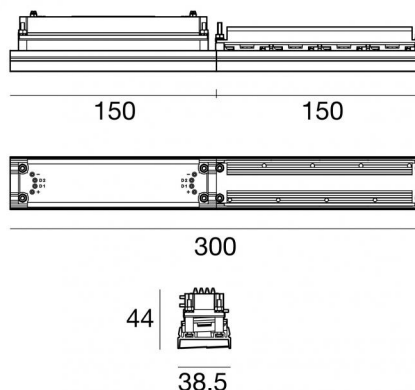




Systeme - Lineare Elemente
4 x powerLEDs 12 W DC 24 V | CRI 92
83745N07



Technische Daten	
Typ	Systeme - Lineare Elemente
Installationsumgebung	Indoor
Lichtquelle	LED
Circuit structure	powerLEDs
Optik	Asymmetric Wallwasher
Light emission direction	downward
Lampe Nennleistung	12 W DC
Lichtstrom (Lichtquelle)	1383 lm
Eingangsspannungsbereich	24 V
Ähnlichste Farbtemperatur / Tone	4000 K
Farbwiedergabeindex	92 Ra
Gleichstrom/Gleichspannung	CV
Isolierklasse	3
IP	IP40
Glühdrahtprüfung	850°
Direkte Montage auf normal entflammaren Oberflächen	Nein
CE	Ja
Einschließlich Driver	Nein
C.V. - C.C. Converter	24 V Konverter enthalten
Leuchte dimmbar	DALI
Schwenkbarkeit	Nein
Drehbarkeit	Nein
Begehbarkeit	Nein
Überrollbarkeit	Nein
Einschließlich Kabel	Ja
Kabellänge	0.25 m
Harzbeschichtung	Nein
Typ Lichtabstrahlung	Einflammig
Nettogewicht	0.282 Kg
Schutz vor elektrostatischen Entladungen	Nein
Schutz vor Stoßspannungen	Nein

Oberfläche Gehäuse

Material	Stranggepresstes Aluminium EN AB - 46100
Farbe	Schwarz
Bearbeitungstyp	Pulverbeschichtung

Oberfläche Diffusor

Material	Polycarbonat UV-beständige
Farbe	Chrom
Bearbeitungstyp	Metallisierung

Cables Electrification

Cable connector	Easy Plug
-----------------	-----------

Systeme - Lineare Elemente | 4 x powerLEDs 12 W DC 24 V | CRI 92
83745N07

Single emission systems or lines for indoor application. The natural white LED light source with a asymmetric wallwasher light distribution is composed of 4 powerled LEDs with CCT of 4000 K and a CRI 92; the source luminous flux is 1383 lm, with a 115.3 lm/W nominal luminous efficacy.

The device body is made of die-cast aluminium en ab - 46100 and features a black finish, processed by means of powder coating; the diffuser is made of uv resistant polycarbonate with a metallization treatment. The ingress protection degree is IP40; the total weight is of 0.282 kg.

The total absorbed power is 12 W. The power supply cable is included and features a 0.25 m length.

The device features protection class III.

Compliant with the EN 60598-1 standard and its specific provisions.

Energieeffizienzklasse

ieses Produkt enthält eine Lichtquelle der Energieeffizienzklasse E.

Illuminotechnical Eigenschaften

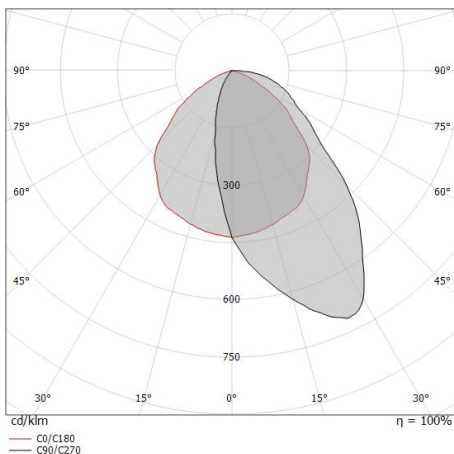
Light Output Ratio (LOR)	45 %
Lichtstrom (Lichtquelle)	1383 lm
Leuchten Lichtstrom	634 lm
Consumption	12 W
Leuchten Lichtausbeute	52 lm/W
Farbtemperatur	4000 K
Standard Deviation of Colour Matching	3 Step MacAdam
Farbwiedergabeindex	92 Ra
Standardumgebungstemperatur	-20 / +50°C

LED Life / Failure Ratio

L70 B10 C0 250000h (at Tj 65 Ta 25)

OPTICAL

Optik C0/C180	99°
Light distribution simmetry	Asymmetrical



Distance [m]	Cone diameter [m]	Illuminance [lx]
0.5	1.17	E(0°) 1108 E(C0) 153
1.0	2.33	E(0°) 277 E(C0) 38
1.5	3.50	E(0°) 123 E(C0) 17
2.0	4.67	E(0°) 69 E(C0) 10
2.5	5.83	E(0°) 44 E(C0) 6
3.0	7.00	E(0°) 31 E(C0) 4

Distance [m] Cone diameter [m] Illuminance [lx]
 — C0/C180 (Half-peak divergence: 98.8°)



Systeme - Lineare Elemente | 4 x powerLEDs 12 W DC 24 V | CRI 92
83745N07

Components



		Modus_M Complete	<p>Code <u>84255 - 84257 - 83758 - 83837</u></p>
		Modus_MP Slave	<p>Code <u>83786 - 83742 - 83788 - 83787 - 83789 - 83741 - 83740 - 83743</u></p>
		Modus_MP Master	<p>Code <u>83783 - 83782 - 83737 - 83785 - 83736 - 83738 - 83784</u></p>
		Modus_M Master	<p>Code <u>83739</u></p>
		Modus_MP Slave Dynamic-White	<p>Code <u>83820 - 83819 - 83821 - 83822 - 83848 - 83846 - 83847 - 83849</u></p>
		Modus_MP Master Dynamic-White	<p>Code <u>83818 - 83817 - 83816 - 83815 - 83843 - 83842 - 83845 - 83844</u></p>
		Modus_MC Master	<p>Code <u>C00166BBEZZ - C00167BBEZZ - C00168BBEZZ - C00169BBEZZ</u></p>
		Modus_MS Slave	<p>Code <u>C00069BBEZZ - C00069BUEZZ - C00070BBEZZ - C00070BUEZZ - C00071BBEZZ - C00071BUEZZ - C00072BBEZZ - C00072BUEZZ</u></p>



Systeme - Lineare Elemente | 4 x powerLEDs 12 W DC 24 V | CRI 92
83745N07

Components

		Modus_MC	Code C00170BBEZZ - C00171BBEZZ - C00172BBEZZ - C00173BBEZZ
--	---	-----------------	---

		Modus_MS Master	Code C00065BBEZZ - C00065BUEZZ - C00066BBEZZ - C00066BUEZZ - C00067BBEZZ - C00067BUEZZ - C00068BBEZZ - C00068BUEZZ
--	---	------------------------	---