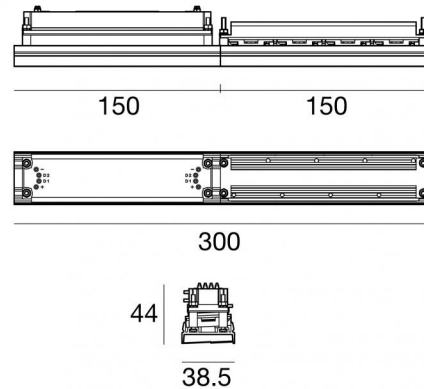




Systeme - Lineare Elemente
4 x powerLEDs 12 W DC 24 V | CRI 92
83721W07



Technische Daten	
Typ	Systeme - Lineare Elemente
Installationsumgebung	Indoor
Lichtquelle	LED
Circuit structure	powerLEDs
Optik	Asymmetric Wallwasher
Light emission direction	downward
Lampe Nennleistung	12 W DC
Lichtstrom (Lichtquelle)	1281 lm
Eingangsspannungsbereich	24 V
Ähnlichste Farbtemperatur / Tone	3500 K
Farbwiedergabeindex	92 Ra
Gleichstrom/Gleichspannung	CV
Isolierklasse	3
IP	IP40
Glühdrahtprüfung	850°
Direkte Montage auf normal entflammaren Oberflächen	Nein
CE	Ja
Einschließlich Driver	Nein
C.V. - C.C. Converter	24 V Konverter enthalten
Leuchte dimmbar	DALI
Schwenkbarkeit	Nein
Drehbarkeit	Nein
Begehbarkeit	Nein
Überrollbarkeit	Nein
Einschließlich Kabel	Ja
Kabellänge	0.25 m
Harzbeschichtung	Nein
Typ Lichtabstrahlung	Einflammig
Nettogewicht	0.282 Kg
Schutz vor elektrostatischen Entladungen	Nein
Schutz vor Stoßspannungen	Nein

Oberfläche Gehäuse

Material	Stranggepresstes Aluminium EN AB - 46100
Farbe	Weiß
Bearbeitungstyp	Pulverbeschichtung

Oberfläche Diffusor

Material	Polycarbonat UV-beständige
Farbe	Chrom
Bearbeitungstyp	Metallisierung

Cables Electrification

Cable connector	Easy Plug
-----------------	-----------

Systeme - Lineare Elemente | 4 x powerLEDs 12 W DC 24 V | CRI 92 83721W07

Single emission systems or lines for indoor application. The warm white LED light source with a asymmetric wallwasher light distribution is composed of 4 powerled LEDs with CCT of 3500 K and a CRI 92; the source luminous flux is 1281 lm, with a 106.8 lm/W nominal luminous efficacy.

The device body is made of die-cast aluminium en ab - 46100 and features a white finish, processed by means of powder coating; the diffuser is made of uv resistant polycarbonate with a metallization treatment. The ingress protection degree is IP40; the total weight is of 0.282 kg.

The total absorbed power is 12 W. The power supply cable is included and features a 0.25 m length.

The device features protection class III.

Compliant with the EN 60598-1 standard and its specific provisions.

Energieeffizienzklasse

ieses Produkt enthält eine Lichtquelle der Energieeffizienzklasse F.

Illuminotechnical Eigenschaften

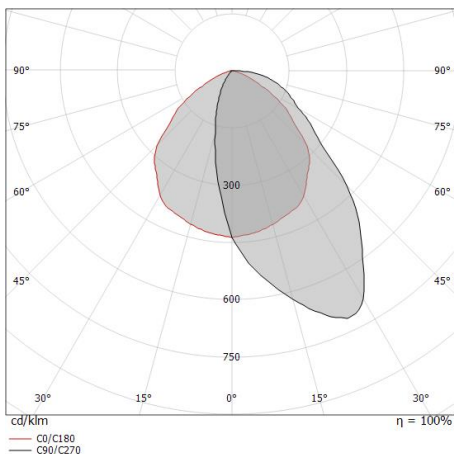
Light Output Ratio (LOR)	45 %
Lichtstrom (Lichtquelle)	1281 lm
Leuchten Lichtstrom	587 lm
Consumption	12 W
Leuchten Lichtausbeute	48 lm/W
Farbtemperatur	3500 K
Standard Deviation of Colour Matching	3 Step MacAdam
Farbwiedergabeindex	92 Ra
Standardumgebungstemperatur	-20 / +50°C

LED Life / Failure Ratio

L70 B10 C0 250000h (at Tj 65 Ta 25)

OPTICAL

Optik C0/C180	99°
Light distribution simmetry	Asymmetrical



Distance [m]	Cone diameter [m]	Illuminance [lx]
0.5	1.17	E(0°) 1026 E(C0) 142
1.0	2.33	E(0°) 256 E(C0) 35
1.5	3.50	E(0°) 114 E(C0) 16
2.0	4.67	E(0°) 64 E(C0) 9
2.5	5.83	E(0°) 41 E(C0) 6
3.0	7.00	E(0°) 28 E(C0) 4

Distance [m] Cone diameter [m] Illuminance [lx]
— C0/C180 (Half-peak divergence: 98.8°)



Systeme - Lineare Elemente | 4 x powerLEDs 12 W DC 24 V | CRI 92
83721W07

Components

		<p>Modus_MP Slave</p>	<p>Code 83786 - 83716 - 83718 - 83788 - 83787 - 83789 - 83717 - 83719</p>
		<p>Modus_MP Master</p>	<p>Code 83783 - 83782 - 83785 - 83714 - 83712 - 83715 - 83784 - 83713</p>
		<p>Modus_MP Slave Dynamic-White</p>	<p>Code 83797 - 83796 - 83798 - 83795 - 83847 - 83846 - 83849 - 83848</p>
		<p>Modus_MP Master Dynamic-White</p>	<p>Code 83794 - 83793 - 83792 - 83791 - 83842 - 83845 - 83843 - 83844</p>
		<p>Modus_MC Master</p>	<p>Code C00166WHEZZ - C00167WHEZZ - C00168WHEZZ - C00169WHEZZ</p>
		<p>Modus_MS Slave</p>	<p>Code C00069BUEZZ - C00069WHEZZ - C00070BUEZZ - C00070WHEZZ - C00071BUEZZ - C00071WHEZZ - C00072BUEZZ - C00072WHEZZ</p>
		<p>Modus_MC</p>	<p>Code C00170WHEZZ - C00171WHEZZ - C00172WHEZZ - C00173WHEZZ</p>
		<p>Modus_MS Master</p>	<p>Code C00065BUEZZ - C00065WHEZZ - C00066BUEZZ - C00066WHEZZ - C00067BUEZZ - C00067WHEZZ - C00068BUEZZ - C00068WHEZZ</p>



Systeme - Lineare Elemente | 4 x powerLEDs 12 W DC 24 V | CRI 92
83721W07

Components
