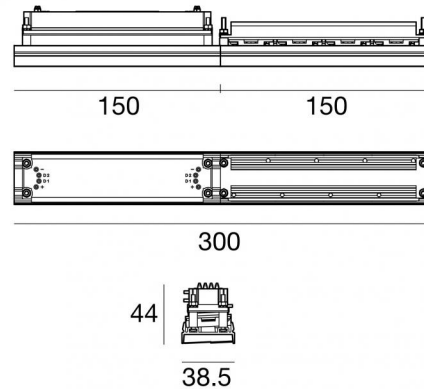




Systeme - Lineare Elemente  
4 x powerLEDs 12 W DC 24 V | CRI 92  
**83721N07**



Technische Daten	
Typ	Systeme - Lineare Elemente
Installationsumgebung	Indoor
Lichtquelle	LED
Circuit structure	powerLEDs
Optik	Asymmetric Wallwasher
Light emission direction	downward
Lampe Nennleistung	12 W DC
Lichtstrom (Lichtquelle)	1383 lm
Eingangsspannungsbereich	24 V
Ähnlichste Farbtemperatur / Tone	4000 K
Farbwiedergabeindex	92 Ra
Gleichstrom/Gleichspannung	CV
Isolierklasse	3
IP	IP40
Glühdrahtprüfung	850°
Direkte Montage auf normal entflammaren Oberflächen	Nein
CE	Ja
Einschließlich Driver	Nein
C.V. - C.C. Converter	24 V Konverter enthalten
Leuchte dimmbar	DALI
Schwenkbarkeit	Nein
Drehbarkeit	Nein
Begehbarkeit	Nein
Überrollbarkeit	Nein
Einschließlich Kabel	Ja
Kabellänge	0.25 m
Harzbeschichtung	Nein
Typ Lichtabstrahlung	Einflammig
Nettogewicht	0.282 Kg
Schutz vor elektrostatischen Entladungen	Nein
Schutz vor Stoßspannungen	Nein

### Oberfläche Gehäuse

Material	Stranggepresstes Aluminium EN AB - 46100
Farbe	Weiß
Bearbeitungstyp	Pulverbeschichtung

### Oberfläche Diffusor

Material	Polycarbonat UV-beständige
Farbe	Chrom
Bearbeitungstyp	Metallisierung

### Cables Electrification

Cable connector	Easy Plug
-----------------	-----------



Systeme - Lineare Elemente | 4 x powerLEDs 12 W DC 24 V | CRI 92  
**83721N07**

Single emission systems or lines for indoor application. The natural white LED light source with a asymmetric wallwasher light distribution is composed of 4 powerled LEDs with CCT of 4000 K and a CRI 92; the source luminous flux is 1383 lm, with a 115.3 lm/W nominal luminous efficacy.

The device body is made of die-cast aluminium en ab - 46100 and features a white finish, processed by means of powder coating; the diffuser is made of uv resistant polycarbonate with a metallization treatment. The ingress protection degree is IP40; the total weight is of 0.282 kg.

The total absorbed power is 12 W. The power supply cable is included and features a 0.25 m length.

The device features protection class III.

Compliant with the EN 60598-1 standard and its specific provisions.

### Energieeffizienzklasse

ieses Produkt enthält eine Lichtquelle der Energieeffizienzklasse E.

### Illuminotechnical Eigenschaften

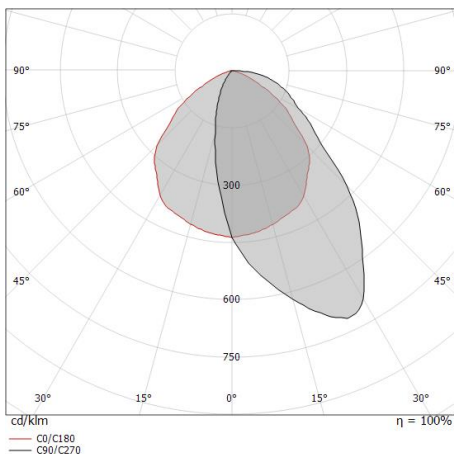
Light Output Ratio (LOR)	45 %
Lichtstrom (Lichtquelle)	1383 lm
Leuchten Lichtstrom	634 lm
Consumption	12 W
Leuchten Lichtausbeute	52 lm/W
Farbtemperatur	4000 K
Standard Deviation of Colour Matching	3 Step MacAdam
Farbwiedergabeindex	92 Ra
Standardumgebungstemperatur	-20 / +50°C

### LED Life / Failure Ratio

L70 B10 C0 250000h (at Tj 65 Ta 25 )

### OPTICAL

Optik C0/C180	99°
Light distribution simmetry	Asymmetrical



Distance [m]	Cone diameter [m]	E(0°)	E(C0)	illuminance [lx]
0.5	1.17	1108	153	
1.0	2.33	277	38	
1.5	3.50	123	17	
2.0	4.67	69	10	
2.5	5.83	44	6	
3.0	7.00	31	4	

Distance [m] Cone diameter [m] Illuminance [lx]  
 — C0/C180 (Half-peak divergence: 98.8°)



Systeme - Lineare Elemente | 4 x powerLEDs 12 W DC 24 V | CRI 92  
**83721N07**

## Components

		<b>Modus_MP Slave</b>	<p style="text-align: right;"><b>Code</b></p> <p>83786 - 83716 - 83718 - 83788 - 83787 -              83789 - 83717 - 83719</p>
		<b>Modus_MP Master</b>	<p style="text-align: right;"><b>Code</b></p> <p>83783 - 83782 - 83785 - 83714 - 83712 -              83715 - 83784 - 83713</p>
		<b>Modus_MP Slave Dynamic-White</b>	<p style="text-align: right;"><b>Code</b></p> <p>83797 - 83796 - 83798 - 83795 - 83847 -              83846 - 83849 - 83848</p>
		<b>Modus_MP Master Dynamic-White</b>	<p style="text-align: right;"><b>Code</b></p> <p>83794 - 83793 - 83792 - 83791 - 83842 -              83845 - 83843 - 83844</p>
		<b>Modus_MC Master</b>	<p style="text-align: right;"><b>Code</b></p> <p>C00166WHEZZ - C00167WHEZZ -              C00168WHEZZ - C00169WHEZZ</p>
		<b>Modus_MS Slave</b>	<p style="text-align: right;"><b>Code</b></p> <p>C00069BUEZZ - C00069WHEZZ -              C00070BUEZZ - C00070WHEZZ -              C00071BUEZZ - C00071WHEZZ -              C00072BUEZZ - C00072WHEZZ</p>
		<b>Modus_MC</b>	<p style="text-align: right;"><b>Code</b></p> <p>C00170WHEZZ - C00171WHEZZ -              C00172WHEZZ - C00173WHEZZ</p>
		<b>Modus_MS Master</b>	<p style="text-align: right;"><b>Code</b></p> <p>C00065BUEZZ - C00065WHEZZ -              C00066BUEZZ - C00066WHEZZ -              C00067BUEZZ - C00067WHEZZ -              C00068BUEZZ - C00068WHEZZ</p>



Systeme - Lineare Elemente | 4 x powerLEDs 12 W DC 24 V | CRI 92  
**83721N07**

## Components

---