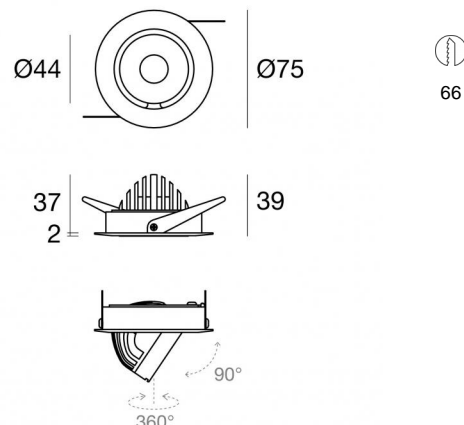




Downlights | 1 x powerLED 4 W DC 350 mA | CRI 90  
82740W85





Technische Daten	
Installationsposition	Decke
Installationsumgebung	Indoor
Lichtquelle	LED
Circuit structure	powerLED
Optik	Adjustable Focus
Light emission direction	downward
Lampe Nennleistung	4 W DC
Lichtstrom (Lichtquelle)	416 lm
Eingangsspannungsbereich	350mA
Ähnlichste Farbtemperatur / Tone	3000 K
Farbwiedergabeindex	90 Ra
Gleichstrom/Gleichspannung	CC
Isolierklasse	3
IP	IP20
Glühdrahtprüfung	850°
Direkte Montage auf normal entflammaren Oberflächen	Ja
CE	Ja
Einschließlich Driver	Nein
Leuchte dimmbar	DALI - 1-10V
Schwenkbarkeit	Estraible
Gesamtwinkel (vertikale Ebene)	90 °
Gesamtwinkel (horizontale Ebene)	360 °
Drehbarkeit	Nein
Begehbarkeit	Nein
Überrollbarkeit	Nein
Einschließlich Kabel	Ja
Kabellänge	0.2 m
Harzbeschichtung	Nein
Typ Lichtabstrahlung	Einflammig
Nettogewicht	0.1 Kg
Schutz vor elektrostatischen Entladungen	Nein
Schutz vor Stoßspannungen	Nein


## Oberfläche Gehäuse

Material	Stranggepresstes Aluminium EN AB - 46100
Farbe	Schwarz
Bearbeitungstyp	Pulverbeschichtung

## Elektronik

	89145 On/Off Driver 198~264V AC / 180~275V DC (1 art.)
--	---

	99375 On/Off Driver 198~264V AC (2 - 3 art.)
---	---

	C-E100010 1-10V - 0-10V Controller (1 art.)
---	--

	C-E100011 Push and Simply Dim - DALI-2 Controller (1 art.)
---	---

## Cables Electrification

Cable connector	No
-----------------	----

Downlights | 1 x powerLED 4 W DC 350 mA | CRI 90 | Maximaler optischer Winkel  
**82740W85**

Single emission recessed downlights for indoor application. The warm white LED light source with a adjustable focus light distribution is composed of 1 powerled LEDs with CCT of 3000 K and a CRI 90; the source luminous flux is 416 lm, with a 104.0 lm/W nominal luminous efficacy.

The device body is made of die-cast aluminium en ab - 46100 and features a black finish, processed by means of powder coating. The ingress protection degree is IP20; the total weight is of 0.1 kg. The power supply driver is not provided and is to be ordered separately.

The total absorbed power is 4 W. The power supply cable is included and features a 0.2 m length.

The device features protection class III and can be ceiling-mounted, with a 66 mm diameter hole (in plasterboard).

Compliant with the EN 60598-1 standard and its specific provisions.

### Energieeffizienzklasse

ieses Produkt enthält eine Lichtquelle der Energieeffizienzklasse F.

### Illuminotechnical Eigenschaften

Light Output Ratio (LOR)	23 %
Lichtstrom (Lichtquelle)	416 lm
Leuchten Lichtstrom	96 lm
Consumption	4 W
Leuchten Lichtausbeute	24 lm/W
Farbtemperatur	3000 K
Standard Deviation of Colour Matching	3 Step MacAdam
Farbwiedergabeindex	90 Ra
Black Body Locus	On
Standardumgebungstemperatur	-20 / +50°C
Typische Temperatur am Glas	40°C

### LED Life / Failure Ratio

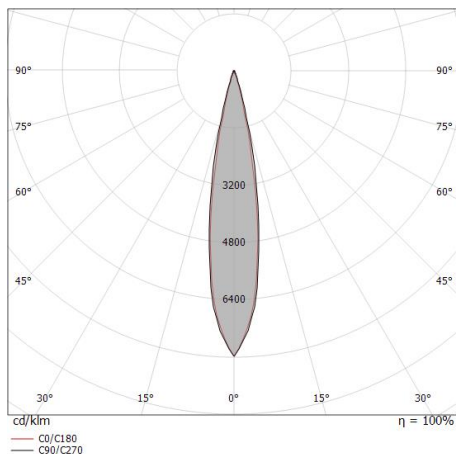
L70 B10 C0 247450h (at Tj 60 Ta 25 )

### UGR

UGR axial	17.7
UGR transversal	17.6
X=4H   Y=8H	S=0.25H
Reflection factor	70/50/20

### OPTICAL

Optik C0/C180	18°
Light distribution simmetry	Symmetrical



Distance [m]	Cone diameter [m]	illuminance [lx]
0.5	0.17 0.16	E(0°) 3039 E(C90) 1459 E(C0) 1467
1.0	0.34 0.32	E(0°) 760 E(C90) 365 E(C0) 367
1.5	0.51 0.48	E(0°) 338 E(C90) 162 E(C0) 163
2.0	0.68 0.64	E(0°) 190 E(C90) 91 E(C0) 92
2.5	0.85 0.80	E(0°) 122 E(C90) 58 E(C0) 59
3.0	1.03 0.96	E(0°) 84 E(C90) 41 E(C0) 41

— C0/C180 (Half-peak divergence: 18.2°)  
 — C90/C270 (Half-peak divergence: 19.4°)



Downlights | 1 x powerLED 4 W DC 350 mA | CRI 90 | Minimaler optischer Winkel

## 82740W85

Single emission recessed downlights for indoor application. The warm white LED light source with an adjustable focus light distribution is composed of 1 powerLED LEDs with CCT of 3000 K and a CRI 90; the source luminous flux is 416 lm, with a 104.0 lm/W nominal luminous efficacy.

The device body is made of die-cast aluminium en ab - 46100 and features a black finish, processed by means of powder coating. The ingress protection degree is IP20; the total weight is of 0.1 kg. The power supply driver is not provided and is to be ordered separately.

The total absorbed power is 4 W. The power supply cable is included and features a 0.2 m length.

The device features protection class III and can be ceiling-mounted, with a 66 mm diameter hole (in plasterboard).

Compliant with the EN 60598-1 standard and its specific provisions.

### Energieeffizienzklasse

ieses Produkt enthält eine Lichtquelle der Energieeffizienzklasse F.

### Illuminotechnical Eigenschaften

Light Output Ratio (LOR)	18 %
Lichtstrom (Lichtquelle)	416 lm
Leuchten Lichtstrom	76 lm
Consumption	4 W
Leuchten Lichtausbeute	19 lm/W
Farbtemperatur	3000 K
Standard Deviation of Colour Matching	3 Step MacAdam
Farbwiedergabeindex	90 Ra
Black Body Locus	On
Standardumgebungstemperatur	-20 / +50°C
Typische Temperatur am Glas	40°C

### LED Life / Failure Ratio

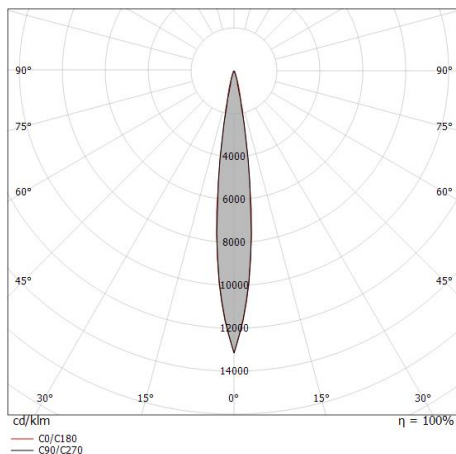
L70 B10 C0 247450h (at Tj 60 Ta 25 )

### UGR

UGR axial	18.2
UGR transversal	17.5
X=4H   Y=8H	S=0.25H
Reflection factor	70/50/20

### OPTICAL

Optik C0/C180	14°
Light distribution simmetry	Symmetrical



Distance [m]	Cone diameter [m]	illuminance [lx]
0.5	0.12 0.12	E(0°) 3948 E(C90) 6.8° 1955 E(C0) 6.9° 1957
1.0	0.24 0.24	E(0°) 987 E(C90) 6.8° 489 E(C0) 6.9° 489
1.5	0.36 0.36	E(0°) 439 E(C90) 6.8° 217 E(C0) 6.9° 217
2.0	0.48 0.48	E(0°) 247 E(C90) 6.8° 122 E(C0) 6.9° 122
2.5	0.60 0.61	E(0°) 158 E(C90) 6.8° 78 E(C0) 6.9° 78
3.0	0.72 0.73	E(0°) 110 E(C90) 6.8° 54 E(C0) 6.9° 54

— C0/C180 (Half-peak divergence: 13.8°)  
— C90/C270 (Half-peak divergence: 13.6°)

### COLOR VECTOR GRAPHIC

