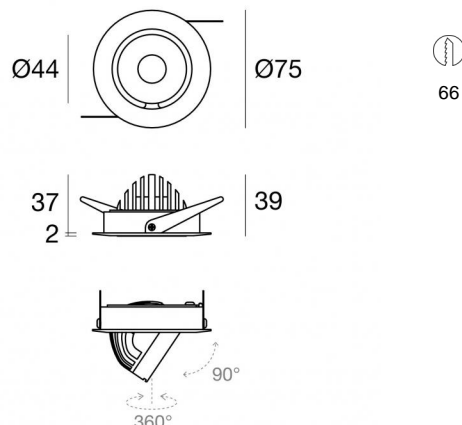




Downlights | 1 x powerLED 4 W DC 350 mA | CRI 90  
82740W30





Technische Daten	
Installationsposition	Decke
Installationsumgebung	Indoor
Lichtquelle	LED
Circuit structure	powerLED
Optik	Medium Flood
Light emission direction	downward
Lampe Nennleistung	4 W DC
Lichtstrom (Lichtquelle)	416 lm
Eingangsspannungsbereich	350mA
Ähnlichste Farbtemperatur / Tone	3000 K
Farbwiedergabeindex	90 Ra
Gleichstrom/Gleichspannung	CC
Isolierklasse	3
IP	IP20
Glühdrahtprüfung	850°
Direkte Montage auf normal entflammaren Oberflächen	Ja
CE	Ja
Einschließlich Driver	Nein
Leuchte dimmbar	DALI - 1-10V
Schwenkbarkeit	Estraible
Gesamtwinkel (vertikale Ebene)	90 °
Gesamtwinkel (horizontale Ebene)	360 °
Drehbarkeit	Nein
Begehbarkeit	Nein
Überrollbarkeit	Nein
Einschließlich Kabel	Ja
Kabellänge	0.2 m
Harzbeschichtung	Nein
Typ Lichtabstrahlung	Einflammig
Nettogewicht	0.1 Kg
Schutz vor elektrostatischen Entladungen	Nein
Schutz vor Stoßspannungen	Nein


### Oberfläche Gehäuse

Material	Stranggepresstes Aluminium EN AB - 46100
Farbe	Schwarz
Bearbeitungstyp	Pulverbeschichtung

### Elektronik

 89145  
On/Off Driver 198~264V AC / 180~275V DC (1 art.)

 99375  
On/Off Driver 198~264V AC (1 - 3 art.)

 C-E100010  
1-10V - 0-10V Controller (1 art.)

 C-E100011  
Push and Simply Dim - DALI-2 Controller (1 art.)

### Cables Electrification

Cable connector No

Downlights | 1 x powerLED 4 W DC 350 mA | CRI 90  
**82740W30**

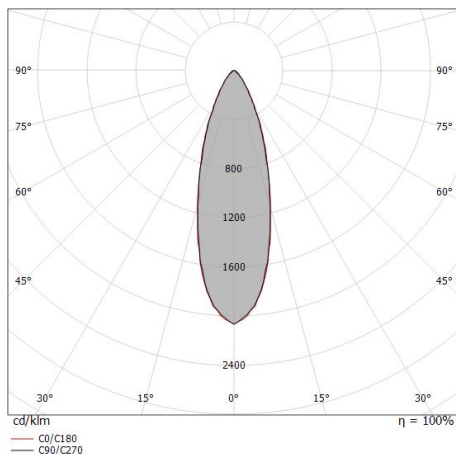
Single emission recessed downlights for indoor application. The warm white LED light source with a medium flood light distribution is composed of 1 powered LEDs with CCT of 3000 K and a CRI 90; the source luminous flux is 416 lm, with a 104.0 lm/W nominal luminous efficacy.

The device body is made of die-cast aluminium en ab - 46100 and features a black finish, processed by means of powder coating. The ingress protection degree is IP20; the total weight is of 0.1 kg. The power supply driver is not provided and is to be ordered separately.

The total absorbed power is 4 W. The power supply cable is included and features a 0.2 m length.

The device features protection class III and can be ceiling-mounted, with a 66 mm diameter hole (in plasterboard).

Compliant with the EN 60598-1 standard and its specific provisions.



Distance [m]	Cone diameter [m]	illuminance [lx]
0.5	0.29 0.29	E(0°) 2201 E(C90) 974 E(C0) 977
1.0	0.58 0.59	E(0°) 550 E(C90) 243 E(C0) 244
1.5	0.88 0.88	E(0°) 245 E(C90) 108 E(C0) 109
2.0	1.17 1.18	E(0°) 138 E(C90) 61 E(C0) 61
2.5	1.46 1.47	E(0°) 88 E(C90) 39 E(C0) 39
3.0	1.75 1.77	E(0°) 61 E(C90) 27 E(C0) 27

— C0/C180 (Half-peak divergence: 32.8°)  
 — C90/C270 (Half-peak divergence: 32.6°)

### Energieeffizienzklasse

ieses Produkt enthält eine Lichtquelle der Energieeffizienzklasse F.

### Illuminotechnical Eigenschaften

Light Output Ratio (LOR)	63 %
Lichtstrom (Lichtquelle)	416 lm
Leuchten Lichtstrom	266 lm
Consumption	4 W
Leuchten Lichtausbeute	66 lm/W
Farbtemperatur	3000 K
Standard Deviation of Colour Matching	3 Step MacAdam
Farbwiedergabeindex	90 Ra
Black Body Locus	On
Standardumgebungstemperatur	-20 / +50°C
Typische Temperatur am Glas	40°C

### LED Life / Failure Ratio

L70 B10 C0 247450h (at Tj 60 Ta 25 )

### UGR

UGR axial	25.3
UGR transversal	25.3
X=4H   Y=8H	S=0.25H
Reflection factor	70/50/20

### OPTICAL

Optik C0/C180	33°
Light distribution simmetry	Symmetrical

### COLOR VECTOR GRAPHIC

