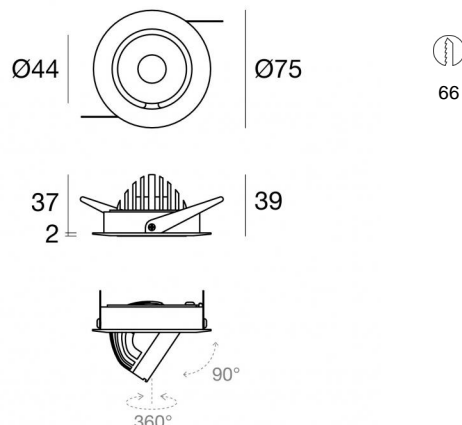




Downlights | 1 x powerLED 4 W DC 350 mA | CRI 90  
82740W15



| Technische Daten                                    |              |
|---|--------------|
| Installationsposition                               | Decke        |
| Installationsumgebung                               | Indoor       |
| Lichtquelle   | LED          |
| Circuit structure                                   | powerLED     |
| Optik   | Spot         |
| Light emission direction                            | downward     |
| Lampe Nennleistung                                  | 4 W DC       |
| Lichtstrom (Lichtquelle)                            | 416 lm       |
| Eingangsspannungsbereich                            | 350mA        |
| Ähnlichste Farbtemperatur / Tone                    | 3000 K       |
| Farbwiedergabeindex                                 | 90 Ra        |
| Gleichstrom/Gleichspannung                          | CC           |
| Isolierklasse                                       | 3            |
| IP  | IP20         |
| Glühdrahtprüfung                                    | 850°         |
| Direkte Montage auf normal entflammaren Oberflächen | Ja           |
| CE  | Ja           |
| Einschließlich Driver                               | Nein         |
| Leuchte dimmbar                                     | DALI - 1-10V |
| Schwenkbarkeit                                      | Estraible    |
| Gesamtwinkel (vertikale Ebene)                      | 90 °         |
| Gesamtwinkel (horizontale Ebene)                    | 360 °        |
| Drehbarkeit   | Nein         |
| Begehbarkeit  | Nein         |
| Überrollbarkeit                                     | Nein         |
| Einschließlich Kabel                                | Ja           |
| Kabellänge  | 0.2 m        |
| Harzbeschichtung                                    | Nein         |
| Typ Lichtabstrahlung                                | Einflammig   |
| Nettogewicht  | 0.1 Kg       |
| Schutz vor elektrostatischen Entladungen            | Nein         |
| Schutz vor Stoßspannungen                           | Nein         |

## Oberfläche Gehäuse

|                 |  |
|-----------------|--|
| Material        | Stranggepresstes Aluminium EN AB - 46100 |
| Farbe           | Schwarz                                  |
| Bearbeitungstyp | Pulverbeschichtung                       |

## Elektronik

|  |   |
|--|---|
|  | 89145<br>On/Off Driver 198~264V AC / 180~275V DC (1 art.) |
|--|---|

|  |   |
|--|---|
|  | 99375<br>On/Off Driver 198~264V AC (2 - 3 art.) |
|--|---|

|  |  |
|--|--|
|  | C-E100010<br>1-10V - 0-10V Controller (1 art.) |
|--|--|

|  |   |
|--|---|
|  | C-E100011<br>Push and Simply Dim - DALI-2 Controller (1 art.) |
|--|---|

## Cables Electrification

|                 |    |
|-----------------|----|
| Cable connector | No |
|-----------------|----|

Downlights | 1 x powerLED 4 W DC 350 mA | CRI 90  
**82740W15**

Single emission recessed downlights for indoor application. The warm white LED light source with a spot light distribution is composed of 1 powered LEDs with CCT of 3000 K and a CRI 90; the source luminous flux is 416 lm, with a 104.0 lm/W nominal luminous efficacy.

The device body is made of die-cast aluminium en ab - 46100 and features a black finish, processed by means of powder coating. The ingress protection degree is IP20; the total weight is of 0.1 kg. The power supply driver is not provided and is to be ordered separately.

The total absorbed power is 4 W. The power supply cable is included and features a 0.2 m length.

The device features protection class III and can be ceiling-mounted, with a 66 mm diameter hole (in plasterboard).

Compliant with the EN 60598-1 standard and its specific provisions.

### Energieeffizienzklasse

ieses Produkt enthält eine Lichtquelle der Energieeffizienzklasse F.

### Illuminotechnical Eigenschaften

|                                       |                |
|---------------------------------------|----------------|
| Light Output Ratio (LOR)              | 74 %           |
| Lichtstrom (Lichtquelle)              | 416 lm         |
| Leuchten Lichtstrom                   | 311 lm         |
| Consumption                           | 4 W            |
| Leuchten Lichtausbeute                | 77 lm/W        |
| Farbtemperatur                        | 3000 K         |
| Standard Deviation of Colour Matching | 3 Step MacAdam |
| Farbwiedergabeindex                   | 90 Ra          |
| Black Body Locus                      | On             |
| Standardumgebungstemperatur           | -20 / +50°C    |
| Typische Temperatur am Glas           | 40°C           |

### LED Life / Failure Ratio

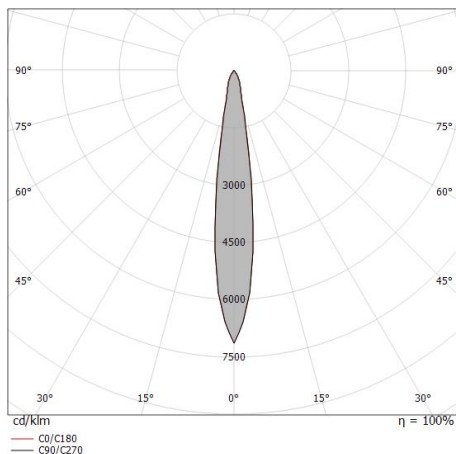
L70 B10 C0 247450h (at Tj 60 Ta 25 )

### UGR

|                   |          |
|-------------------|----------|
| UGR axial         | 22.6     |
| UGR transversal   | 23.2     |
| X=4H   Y=8H       | S=0.25H  |
| Reflection factor | 70/50/20 |

### OPTICAL

|                             |             |
|-----------------------------|-------------|
| Optik C0/C180               | 15°         |
| Light distribution simmetry | Symmetrical |



| Distance [m] | Cone diameter [m] | illuminance [lx]                                  |
|--------------|-------------------|---|
| 0.5          | 0.16<br>0.14      | E(0°) 8853<br>E(C90) 7.8° 4324<br>E(C0) 7.7° 4358 |
| 1.0          | 0.27<br>0.27      | E(0°) 2213<br>E(C90) 7.8° 1081<br>E(C0) 7.7° 1090 |
| 1.5          | 0.41<br>0.41      | E(0°) 984<br>E(C90) 7.8° 480<br>E(C0) 7.7° 484    |
| 2.0          | 0.55<br>0.54      | E(0°) 553<br>E(C90) 7.8° 270<br>E(C0) 7.7° 272    |
| 2.5          | 0.68<br>0.68      | E(0°) 354<br>E(C90) 7.8° 173<br>E(C0) 7.7° 174    |
| 3.0          | 0.82<br>0.81      | E(0°) 246<br>E(C90) 7.8° 120<br>E(C0) 7.7° 121    |

— C0/C180 (Half-peak divergence: 15.4°)  
 — C90/C270 (Half-peak divergence: 15.6°)

