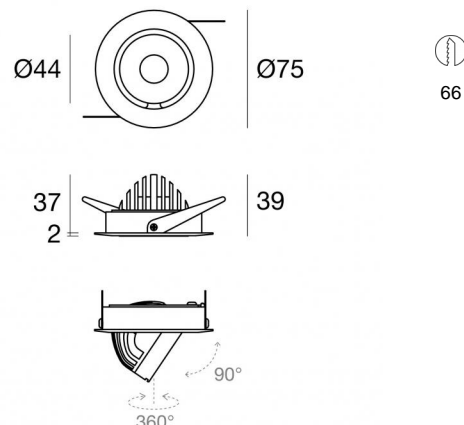




Downlights | 1 x powerLED 4 W DC 350 mA | CRI 90
82740M15





Technische Daten	
Installationsposition	Decke
Installationsumgebung	Indoor
Lichtquelle	LED
Circuit structure	powerLED
Optik	Spot
Light emission direction	downward
Lampe Nennleistung	4 W DC
Lichtstrom (Lichtquelle)	389 lm
Eingangsspannungsbereich	350mA
Ähnlichste Farbtemperatur / Tone	2700 K
Farbwiedergabeindex	90 Ra
Gleichstrom/Gleichspannung	CC
Isolierklasse	3
IP	IP20
Glühdrahtprüfung	850°
Direkte Montage auf normal entflammaren Oberflächen	Ja
CE	Ja
Einschließlich Driver	Nein
Leuchte dimmbar	DALI - 1-10V
Schwenkbarkeit	Estraible
Gesamtwinkel (vertikale Ebene)	90 °
Gesamtwinkel (horizontale Ebene)	360 °
Drehbarkeit	Nein
Begehbarkeit	Nein
Überrollbarkeit	Nein
Einschließlich Kabel	Ja
Kabellänge	0.2 m
Harzbeschichtung	Nein
Typ Lichtabstrahlung	Einflammig
Nettogewicht	0.1 Kg
Schutz vor elektrostatischen Entladungen	Nein
Schutz vor Stoßspannungen	Nein


Oberfläche Gehäuse

Material	Stranggepresstes Aluminium EN AB - 46100
Farbe	Schwarz
Bearbeitungstyp	Pulverbeschichtung

Elektronik

	89145 On/Off Driver 198~264V AC / 180~275V DC (1 art.)
--	---

	99375 On/Off Driver 198~264V AC (2 - 3 art.)
---	---

	C-E100010 1-10V - 0-10V Controller (1 art.)
---	--

	C-E100011 Push and Simply Dim - DALI-2 Controller (1 art.)
---	---

Cables Electrification

Cable connector	No
-----------------	----

Downlights | 1 x powerLED 4 W DC 350 mA | CRI 90
82740M15

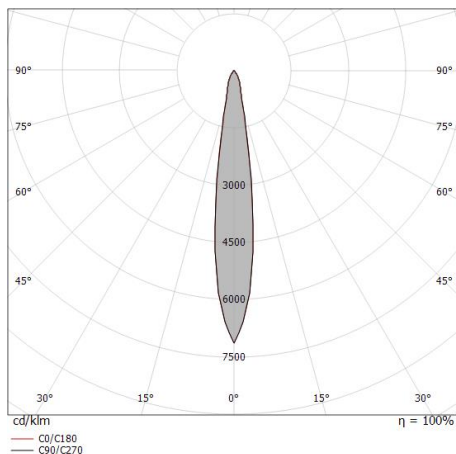
Single emission recessed downlights for indoor application. The super warm white LED light source with a spot light distribution is composed of 1 powerLED LEDs with CCT of 2700 K and a CRI 90; the source luminous flux is 389 lm, with a 97.3 lm/W nominal luminous efficacy.

The device body is made of die-cast aluminium en ab - 46100 and features a black finish, processed by means of powder coating. The ingress protection degree is IP20; the total weight is of 0.1 kg. The power supply driver is not provided and is to be ordered separately.

The total absorbed power is 4 W. The power supply cable is included and features a 0.2 m length.

The device features protection class III and can be ceiling-mounted, with a 66 mm diameter hole (in plasterboard).

Compliant with the EN 60598-1 standard and its specific provisions.



Distance [m]	Cone diameter [m]	illuminance [lx]
0.5	0.16 0.14	E(0°) 8252 E(C90) 4031 E(C0) 4062
1.0	0.27 0.27	E(0°) 2063 E(C90) 1008 E(C0) 1016
1.5	0.41 0.41	E(0°) 917 E(C90) 448 E(C0) 451
2.0	0.55 0.54	E(0°) 516 E(C90) 252 E(C0) 254
2.5	0.68 0.68	E(0°) 330 E(C90) 161 E(C0) 162
3.0	0.82 0.81	E(0°) 229 E(C90) 112 E(C0) 113

Distance [m] Cone diameter [m] illuminance [lx]

— C0/C180 (Half-peak divergence: 15.4°)
 — C90/C270 (Half-peak divergence: 15.6°)

Energieeffizienzklasse

ieses Produkt enthält eine Lichtquelle der Energieeffizienzklasse F.

Illuminotechnical Eigenschaften

Light Output Ratio (LOR)	74 %
Lichtstrom (Lichtquelle)	389 lm
Leuchten Lichtstrom	289 lm
Consumption	4 W
Leuchten Lichtausbeute	72 lm/W
Farbtemperatur	2700 K
Standard Deviation of Colour Matching	3 Step MacAdam
Farbwiedergabeindex	90 Ra
Black Body Locus	On

Standardumgebungstemperatur -20 / +50°C

Typische Temperatur am Glas 40°C

LED Life / Failure Ratio

L70 B10 C0 247450h (at Tj 60 Ta 25)

UGR

UGR axial	22.3
UGR transversal	23
X=4H Y=8H	S=0.25H
Reflection factor	70/50/20

OPTICAL

Optik C0/C180	15°
Light distribution simmetry	Symmetrical

