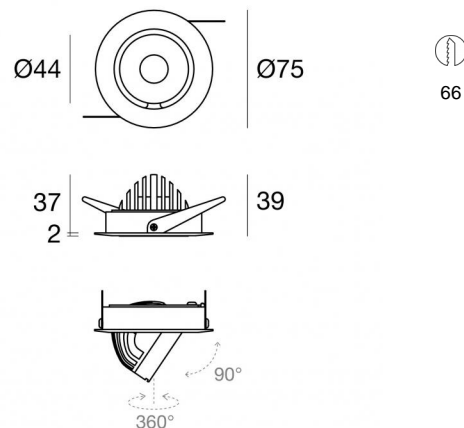




Downlights | 1 x powerLED 4 W DC 350 mA | CRI 90
82739M30





Technische Daten	
Installationsposition	Decke
Installationsumgebung	Indoor
Lichtquelle	LED
Circuit structure	powerLED
Optik	Medium Flood
Light emission direction	downward
Lampe Nennleistung	4 W DC
Lichtstrom (Lichtquelle)	389 lm
Eingangsspannungsbereich	350mA
Ähnlichste Farbtemperatur / Tone	2700 K
Farbwiedergabeindex	90 Ra
Gleichstrom/Gleichspannung	CC
Isolierklasse	3
IP	IP20
Glühdrahtprüfung	850°
Direkte Montage auf normal entflammaren Oberflächen	Ja
CE	Ja
Einschließlich Driver	Nein
Leuchte dimmbar	DALI - 1-10V
Schwenkbarkeit	Estraible
Gesamtwinkel (vertikale Ebene)	90 °
Gesamtwinkel (horizontale Ebene)	360 °
Drehbarkeit	Nein
Begehbarkeit	Nein
Überrollbarkeit	Nein
Einschließlich Kabel	Ja
Kabellänge	0.2 m
Harzbeschichtung	Nein
Typ Lichtabstrahlung	Einflammig
Nettogewicht	0.1 Kg
Schutz vor elektrostatischen Entladungen	Nein
Schutz vor Stoßspannungen	Nein


Oberfläche Gehäuse

Material	Stranggepresstes Aluminium EN AB - 46100
Farbe	Weiß
Bearbeitungstyp	Pulverbeschichtung

Elektronik

 89145
 On/Off Driver 198~264V AC / 180~275V DC (1 art.)

 99375
 On/Off Driver 198~264V AC (1 - 3 art.)

 C-E100010
 1-10V - 0-10V Controller (1 art.)

 C-E100011
 Push and Simply Dim - DALI-2 Controller (1 art.)

Cables Electrification

Cable connector No

Downlights | 1 x powerLED 4 W DC 350 mA | CRI 90
82739M30

Single emission recessed downlights for indoor application. The super warm white LED light source with a medium flood light distribution is composed of 1 powerLED LEDs with CCT of 2700 K and a CRI 90; the source luminous flux is 389 lm, with a 97.3 lm/W nominal luminous efficacy.

The device body is made of die-cast aluminium en ab - 46100 and features a white finish, processed by means of powder coating. The ingress protection degree is IP20; the total weight is of 0.1 kg. The power supply driver is not provided and is to be ordered separately.

The total absorbed power is 4 W. The power supply cable is included and features a 0.2 m length.

The device features protection class III and can be ceiling-mounted, with a 66 mm diameter hole (in plasterboard).

Compliant with the EN 60598-1 standard and its specific provisions.

Energieeffizienzklasse

ieses Produkt enthält eine Lichtquelle der Energieeffizienzklasse F.

Illuminotechnical Eigenschaften

Light Output Ratio (LOR)	70 %
Lichtstrom (Lichtquelle)	389 lm
Leuchten Lichtstrom	276 lm
Consumption	4 W
Leuchten Lichtausbeute	69 lm/W
Farbtemperatur	2700 K
Standard Deviation of Colour Matching	3 Step MacAdam
Farbwiedergabeindex	90 Ra
Black Body Locus	On
Standardumgebungstemperatur	-20 / +50°C
Typische Temperatur am Glas	40°C

LED Life / Failure Ratio

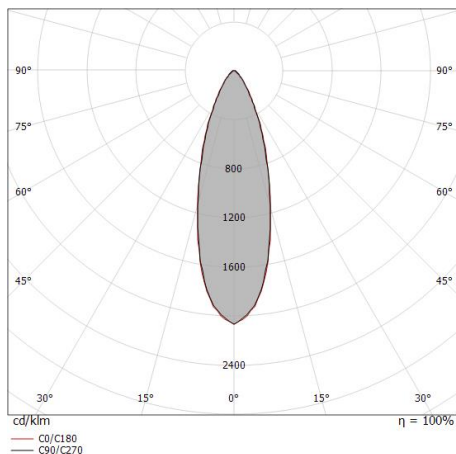
L70 B10 C0 247450h (at Tj 60 Ta 25)

UGR

UGR axial	25.4
UGR transversal	25.4
X=4H Y=8H	S=0.25H
Reflection factor	70/50/20

OPTICAL

Optik C0/C180	33°
Light distribution simmetry	Symmetrical



Distance [m]	Cone diameter [m]	E(0°)	E(C90)	E(C0)
0.5	0.29 0.29	2280	16.3° 1009	16.4° 1012
1.0	0.58 0.59	570	16.3° 252	16.4° 253
1.5	0.88 0.88	253	16.3° 112	16.4° 112
2.0	1.17 1.18	142	16.3° 63	16.4° 63
2.5	1.46 1.47	91	16.3° 40	16.4° 40
3.0	1.75 1.77	63	16.3° 28	16.4° 28

Distance [m] Cone diameter [m] Illuminance [lx]

— C0/C180 (Half-peak divergence: 32.8°)
 — C90/C270 (Half-peak divergence: 32.6°)

COLOR VECTOR GRAPHIC

