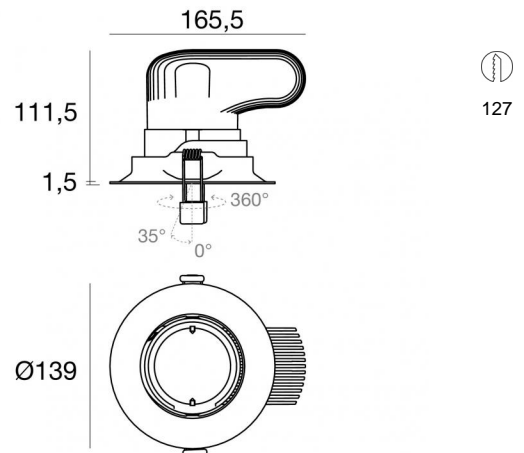




Downlights | 1 arrayLED 25 W DC 700 mA | CRI 90  
80871M60



| Technische Daten                                    |                   |
|---|-------------------|
| Installationsposition                               | Decke             |
| Installationsumgebung                               | Indoor            |
| Lichtquelle   | LED               |
| Circuit structure                                   | arrayLED          |
| Optik   | Medium Wide Flood |
| Light emission direction                            | downward          |
| Lampe Nennleistung                                  | 25 W DC           |
| Lichtstrom (Lichtquelle)                            | 3967 lm           |
| Eingangsspannungsbereich                            | 700mA             |
| Ähnlichste Farbtemperatur / Tone                    | 2700 K            |
| Farbwiedergabeindex                                 | 90 Ra             |
| Gleichstrom/Gleichspannung                          | CC                |
| Isolierklasse                                       | 3                 |
| IP  | IP44              |
| IP optisches System                                 | IP65              |
| IK  | IK08              |
| Glühdrahtprüfung                                    | 850°              |
| Direkte Montage auf normal entflammaren Oberflächen | Ja                |
| CE  | Ja                |
| Einschließlich Driver                               | Nein              |
| Leuchte dimmbar                                     | DALI - 1-10V      |
| Schwenkbarkeit                                      | Nein              |
| Drehbarkeit   | Ja                |
| Gesamtwinkel (horizontale Ebene)                    | 350 °             |
| Gesamtwinkel (vertikale Ebene)                      | 35 °              |
| Begehbarkeit  | Nein              |
| Überrollbarkeit                                     | Nein              |
| Einschließlich Kabel                                | Ja                |
| Kabellänge  | 0.300 m           |
| Harzbeschichtung                                    | Nein              |
| Typ Lichtabstrahlung                                | Einflammig        |
| Nettogewicht  | 0.650 Kg          |
| Schutz vor elektrostatischen Entladungen            | Nein              |
| Schutz vor Stoßspannungen                           | Nein              |
| Optiktechnologie                                    | Honey comb        |

### Oberfläche Gehäuse

|                 |  |
|-----------------|--|
| Material        | Stranggepresstes Aluminium EN AB - 46100 |
| Farbe           | Weiß                                     |
| Bearbeitungstyp | Pulverbeschichtung                       |

### Oberfläche Diffusor

|          |                            |
|----------|----------------------------|
| Material | Polycarbonat UV-beständige |
| Farbe    | transparent                |

### Oberfläche strahler

|                 |  |
|-----------------|--|
| Material        | Stranggepresstes Aluminium EN AB - 46100 |
| Farbe           | Aluminium                                |
| Bearbeitungstyp | Polieren                                 |

### Elektronik



99112  
On/Off Driver 198-264V AC (1 art.)



83066  
1-10V - Push and Simply Dim - DALI-2 Controller (1 art.)



C-E100031  
DALI - Push and Simply Dim Multi Power 198-264V AC / 180-275V DC (1 art.)

### Cables Electrification

|                       |                |
|-----------------------|----------------|
| Cable connector       | Male Easy plug |
| IP (locked condition) | 66             |



## Downlights | 1 arrayLED 25 W DC 700 mA | CRI 90 80871M60

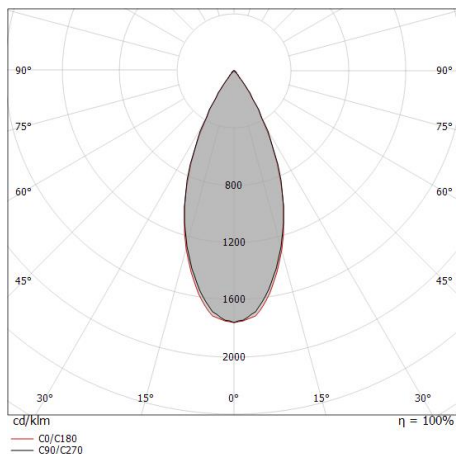
Single emission recessed downlights for indoor application. The super warm white LED light source with a medium wide flood light distribution is composed of 1 arrayed LEDs with CCT of 2700 K and a CRI 90; the source luminous flux is 3967 lm, with a 158.7 lm/W nominal luminous efficacy.

The device body is made of die-cast aluminium en ab - 46100 and features a white finish, processed by means of powder coating; the diffuser is made of uv resistant polycarbonate. The ingress protection degree is IP44; the total weight is of 0.650 kg. The power supply driver is not provided and is to be ordered separately.

The total absorbed power is 25 W. The power supply cable is included and features a 0.300 m length.

The device features protection class III and can be ceiling-mounted, with a 127 mm diameter hole (in plasterboard).

Compliant with the EN 60598-1 standard and its specific provisions.



| Distance [m] | Cone diameter [m] | illuminance [lx]                  |
|--------------|-------------------|-----------------------------------|
| 0.5          | 0.41              | $E(0^\circ)$ 9620<br>$E(C0)$ 3825 |
| 1.0          | 0.82              | $E(0^\circ)$ 2405<br>$E(C0)$ 956  |
| 1.5          | 1.22              | $E(0^\circ)$ 1069<br>$E(C0)$ 425  |
| 2.0          | 1.63              | $E(0^\circ)$ 601<br>$E(C0)$ 239   |
| 2.5          | 2.04              | $E(0^\circ)$ 385<br>$E(C0)$ 153   |
| 3.0          | 2.45              | $E(0^\circ)$ 267<br>$E(C0)$ 106   |

Distance [m] Cone diameter [m] Illuminance [lx]  
— C0/C180 (Half-peak divergence: 44.4°)

### Energieeffizienzklasse

ieses Produkt enthält eine Lichtquelle der Energieeffizienzklasse E.

### Illuminotechnical Eigenschaften

|                                       |                |
|---------------------------------------|----------------|
| Light Output Ratio (LOR)              | 34 %           |
| Lichtstrom (Lichtquelle)              | 3967 lm        |
| Leuchten Lichtstrom                   | 1366 lm        |
| Consumption                           | 18 W           |
| Leuchten Lichtausbeute                | 75 lm/W        |
| Farbtemperatur                        | 2700 K         |
| Standard Deviation of Colour Matching | 2 Step MacAdam |
| Farbwiedergabeindex                   | 90 Ra          |
| Standardumgebungstemperatur           | -20 / +50°C    |
| Typische Temperatur am Glas           | 40°C           |

### LED Life / Failure Ratio

L70 B10 C0 252000h (at Tj 65 Ta 25 )

### UGR

|                   |          |
|-------------------|----------|
| UGR transversal   | 14.6     |
| UGR axial         | 15       |
| X=4H   Y=8H       | S=0.25H  |
| Reflection factor | 70/50/20 |

### OPTICAL

|                             |             |
|-----------------------------|-------------|
| Optik C0/C180               | 44°         |
| Light distribution simmetry | Symmetrical |

Downlights | 1 arrayLED 25 W DC 700 mA | CRI 90

## 80871M60

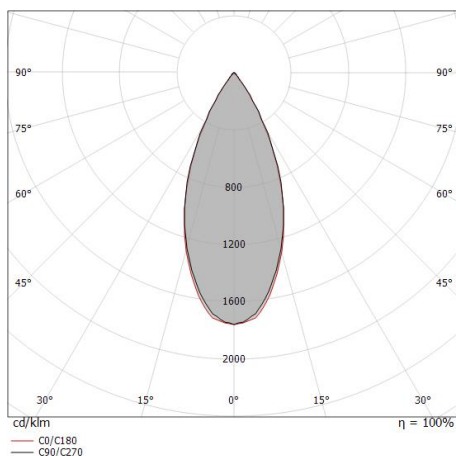
Single emission recessed downlights for indoor application. The super warm white LED light source with a medium wide flood light distribution is composed of 1 arrayed LEDs with CCT of 2700 K and a CRI 90; the source luminous flux is 3967 lm, with a 158.7 lm/W nominal luminous efficacy.

The device body is made of die-cast aluminium en ab - 46100 and features a white finish, processed by means of powder coating; the diffuser is made of uv resistant polycarbonate. The ingress protection degree is IP44; the total weight is of 0.650 kg. The power supply driver is not provided and is to be ordered separately.

The total absorbed power is 25 W. The power supply cable is included and features a 0.300 m length.

The device features protection class III and can be ceiling-mounted, with a 127 mm diameter hole (in plasterboard).

Compliant with the EN 60598-1 standard and its specific provisions.



| Distance [m] | Cone diameter [m] | illuminance [lx]          |
|--------------|-------------------|---------------------------|
| 0.5          | 0.41              | E(0°) 12878<br>E(C0) 5120 |
| 1.0          | 0.82              | E(0°) 3220<br>E(C0) 1280  |
| 1.5          | 1.22              | E(0°) 1431<br>E(C0) 569   |
| 2.0          | 1.63              | E(0°) 805<br>E(C0) 320    |
| 2.5          | 2.04              | E(0°) 515<br>E(C0) 205    |
| 3.0          | 2.45              | E(0°) 358<br>E(C0) 142    |

Distance [m] Cone diameter [m] Illuminance [lx]  
— C0/C180 (Half-peak divergence: 44.4°)

### Energieeffizienzklasse

ieses Produkt enthält eine Lichtquelle der Energieeffizienzklasse E.

### Illuminotechnical Eigenschaften

|                                       |                |
|---------------------------------------|----------------|
| Light Output Ratio (LOR)              | 46 %           |
| Lichtstrom (Lichtquelle)              | 3967 lm        |
| Leuchten Lichtstrom                   | 1829 lm        |
| Consumption                           | 25 W           |
| Leuchten Lichtausbeute                | 73 lm/W        |
| Farbtemperatur                        | 2700 K         |
| Standard Deviation of Colour Matching | 2 Step MacAdam |
| Farbwiedergabeindex                   | 90 Ra          |
| Standardumgebungstemperatur           | -20 / +50°C    |
| Typische Temperatur am Glas           | 40°C           |

### LED Life / Failure Ratio

L70 B10 C0 252000h (at Tj 65 Ta 25 )

### UGR

|                   |          |
|-------------------|----------|
| UGR transversal   | 15.6     |
| UGR axial         | 16.1     |
| X=4H   Y=8H       | S=0.25H  |
| Reflection factor | 70/50/20 |

### OPTICAL

|                             |             |
|-----------------------------|-------------|
| Optik C0/C180               | 44°         |
| Light distribution simmetry | Symmetrical |