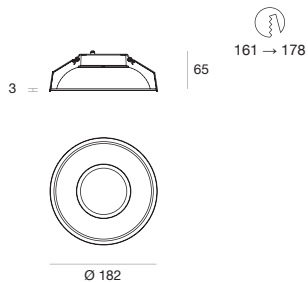


RETROFITTING LED DOWNLIGHT

# WOOFER

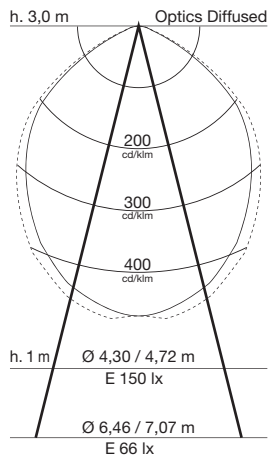
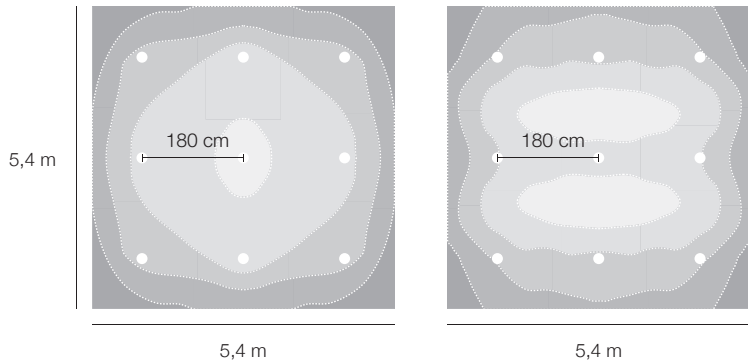




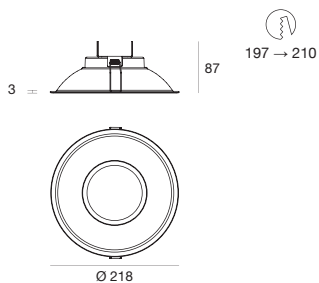
type	CRI	colour	flux	optics	code
White	CRI 80	3000 K	1690 lm	diffused	<b>92377W00</b>
White	CRI 80	4000 K	1862 lm	diffused	<b>92377N00</b>

Woofler 14 W

2 x 13 W fluo downlight



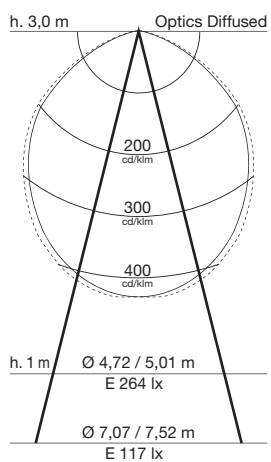
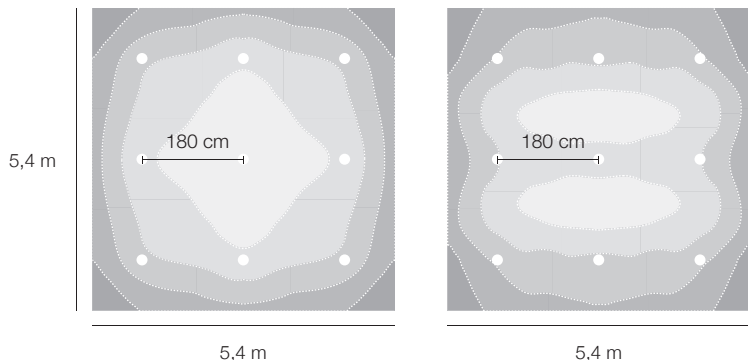
comparison	Woofler 14 W 3000 K	2 x 13 W fluo downlight
Surface (1,95 m)	Em 256 lx	Em 286 lx
Floor (2,8 m)	Em 216 lx	Em 244 lx
Wall	Em 118 lx	Em 114 lx
<b>Total consumption</b>	<b>126 W</b>	<b>234 W</b>



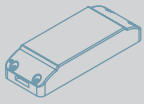
type	CRI	colour	flux	optics	code
White	CRI 80	3000 K	2957 lm	diffused	<b>92376W00</b>
White	CRI 80	4000 K	3258 lm	diffused	<b>92376N00</b>

Woofler 25 W

2 x 26 W fluo downlight



comparison	Woofler 25 W 3000 K	2 x 26 W fluo downlight
Surface (1,95 m)	Em 483 lx	Em 458 lx
Floor (2,8 m)	Em 405 lx	Em 392 lx
Wall	Em 236 lx	Em 182 lx
<b>Total consumption</b>	<b>225 W</b>	<b>468 W</b>



## EASY PLUG

---

Driver included with 30 cm cable and fast connector



## QUICK CHANGE

---

Easy retro-fitting for the main hole sizes



## HIGH PERFORMANCE

---

topLED module with PMMA reflector cover

# 50%

## ENERGY SAVING

---

Compared to traditional fluorescent downlights



## REFINED FINISH

---

White powder-coated aluminium body



**Your Light** | Future Proof