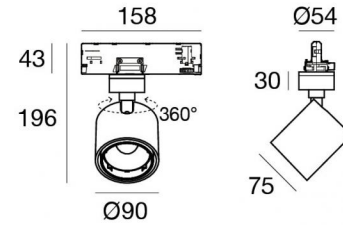


Projectors | 198-264 V
1 arrayLED 23 W DC - 26 W AC | CRI 98
83909W60



Technical data	
Type	Track
Installation position	Ceiling
Installation environment	Indoor
Light Source	LED
Circuit structure	arrayLED
Optics	Wide Flood
Light emission direction	frontal
Nominal power	23 W DC
Total Power	26 W
Source lumens	2610 lm
Nominal input voltage	220 - 240 V AC
Input voltage range	198 - 264 V AC
Frequency	50 - 60 Hz
CCT / Tone	3000 K
Colour rendering index	98 Ra
C.C. / C.V.	AC
Safety class	2
IP	IP20
Glow wire test	850°
Direct mounting on normally flammable surfaces	Yes
CE	Yes
Driver included	Driver
Dimmable article	Bluetooth
Directional	Swivelling
total angle (vertical plane)	90 °
total angle (horizontal plane)	360 °
Tilting	No
Walk-over	No
Drive-over	No
Cable included	No
Resin potting	No
Type of light emission	Single emission
Net weight	0.687 Kg
Electrostatic discharge protection	Yes
Surge protection	1 KV

Finishing casing	
Material	Die-cast Aluminium EN AB - 46100
Colour	White
Processing	Powder coating

Technology Partner
SILVAIR

Projectors | 198-264 V | 1 arrayLED 23 W DC - 26 W AC | CRI 98 | Base 83909W60

Single emission projectors for indoor application. The warm white LED light source with a wide flood light distribution is composed of 1 arrayed LEDs with CCT of 3000 K and a CRI 98; the source luminous flux is 2610 lm, with a 113.5 lm/W nominal luminous efficacy.

The device body is made of die-cast aluminium en ab - 46100 and features a white finish, processed by means of powder coating. The ingress protection degree is IP20; the total weight is of 0.687 kg.

The total absorbed power is 26 W.

The device features protection class II and can be ceiling-mounted.

Compliant with the EN 60598-1 standard and its specific provisions.

Energy efficiency class

This product contains a light source of energy efficiency class F.

Illuminotechnical Features

Light Output Ratio (LOR)	89 %
Source lumens	2610 lm
Delivered lumens	2335 lm
Consumption	26 W
Luminaire efficacy	89 lm/W
Colour temperature	3000 K
Standard Deviation of Colour Matching	2 Step MacAdam
Colour rendering index	98 Ra
Black Body Locus	Below
Standard Operating Ambient Temperature	-20 / +50°C
Ordinary temperature on the glass	40°C

LED Life / Failure Ratio

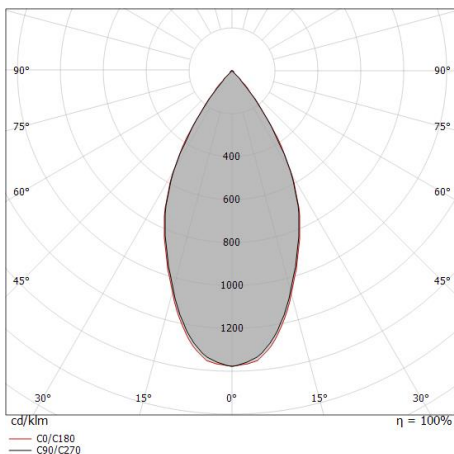
L70 B10 C0 252000h (at Tj 65 Ta 25)

UGR

UGR axial	21.6
UGR transversal	21.7
X=4H Y=8H	S=0.25H
Reflection factor	70/50/20

OPTICAL

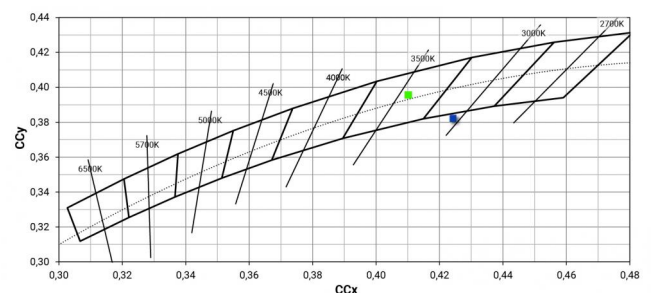
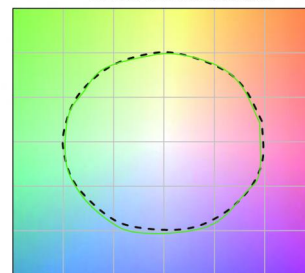
C0/C180 optics	52°
Light distribution simmetry	Symmetrical

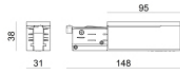


Distance [m]	Cone diameter [m]	illuminance [lx]
0.5	0.49 0.50	E(0°) 12870 E(C90) 26.2° 4662 E(C0) 26.5° 4629
1.0	0.98 1.00	E(0°) 3217 E(C90) 26.2° 1166 E(C0) 26.5° 1157
1.5	1.48 1.50	E(0°) 1430 E(C90) 26.2° 518 E(C0) 26.5° 514
2.0	1.97 1.99	E(0°) 804 E(C90) 26.2° 291 E(C0) 26.5° 289
2.5	2.46 2.49	E(0°) 515 E(C90) 26.2° 186 E(C0) 26.5° 185
3.0	2.95 2.99	E(0°) 357 E(C90) 26.2° 130 E(C0) 26.5° 129

— C0/C180 (Half-peak divergence: 53.0°)
— C90/C270 (Half-peak divergence: 52.4°)

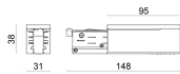
COLOR VECTOR GRAPHIC





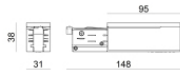
Power supply - White Right power supply header (9001/W)
Material:PC, colour:white.

Code
81033



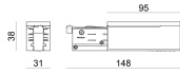
Power supply - White left power supply header (9002/W)
Material:PC, colour:white.

Code
81036



Power supply - Black left power supply header (9002/B)
Material:PC, colour:black.

Code
81037



Power supply - Black Right power supply header (9001/B)
Material:PC, colour:black.

Code
81034



Closing cap - White end cap 9004/W
Material:PC, colour:white.

Code
80999



Closing cap - Black end cap 9004/B
Material:PC, colour:black.

Code
81000



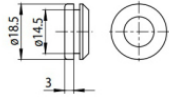
Closing cap - Recessed white end cap 9004-R/W
Material:PC, colour:white.

Code
81002



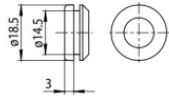
Closing cap - Recessed black end cap 9004-R/B
Material:PC, colour:black.

Code
81003



Closing cap - White gasket (S-9001/115-W)
Material:white.

Code
81084



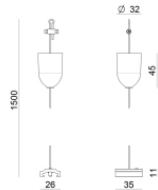
Closing cap - Black gasket (S-9001/115-B)
Material:black, colour:black.

Code
81085



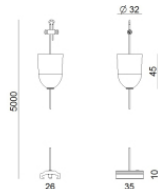
Ceiling rose - 1.5m white pendant luminaires kit + bracket (9000-KIT5-1,5-W)
Material:plastic, colour:white.

Code
81012



Ceiling rose - 1.5m black pendant luminaires kit + bracket ((9000-KIT5-1,5-B)
Material:plastic, colour:black.

Code
81014



Ceiling rose - 5m white pendant luminaires kit + bracket (9000-KIT5-5-W)
Material:plastic, colour:white.

Code
81013



Ceiling rose - 5m black pendant luminaires kit + bracket (9000-KIT5-5-B)
Material:plastic, colour:black.

Code
81015



Bracket - Anodized fixing bracket (S-9000/131)
L=35mm, H=14mm, D=24mm.
Material:Aluminium, colour:translucent.

Finish **Code**
Anod. Al. 81086



Bracket - Anodized stiffening bracket (S-9000/333)
L=180mm, H=24mm, D=26mm.
Material:Aluminium, colour:Anodised Aluminum, processing:Anodisation.

Finish **Code**
Anod. Al. 81024

		<p>Bracket - White stiffening bracket (S-9000/333-W) L=180mm, H=24mm, D=20mm. Material:Aluminium, colour:white RAL 9010, processing:Coating.</p>	<table border="1"> <thead> <tr> <th>Finish</th> <th>Code</th> </tr> </thead> <tbody> <tr> <td>White</td> <td>81025</td> </tr> </tbody> </table>	Finish	Code	White	81025
Finish	Code						
White	81025						
		<p>Bracket - Black stiffening bracket (S-9000/333-B) L=180mm, H=24mm, D=20mm. Material:Aluminium, colour:black RAL 9005, processing:Coating.</p>	<table border="1"> <thead> <tr> <th>Finish</th> <th>Code</th> </tr> </thead> <tbody> <tr> <td>Black</td> <td>81026</td> </tr> </tbody> </table>	Finish	Code	Black	81026
Finish	Code						
Black	81026						
		<p>Bracket - White fixing bracket (S-9000/131-W) L=35mm, H=14mm, D=24mm. Material:Aluminium, colour:white, processing:Coating.</p>	<table border="1"> <thead> <tr> <th>Finish</th> <th>Code</th> </tr> </thead> <tbody> <tr> <td>White</td> <td>81087</td> </tr> </tbody> </table>	Finish	Code	White	81087
Finish	Code						
White	81087						
		<p>Bracket - Black fixing bracket (S-9000/131-B) L=35mm, H=14mm, D=24mm. Material:Aluminium, colour:Black, processing:Coating.</p>	<table border="1"> <thead> <tr> <th>Finish</th> <th>Code</th> </tr> </thead> <tbody> <tr> <td>Black</td> <td>81088</td> </tr> </tbody> </table>	Finish	Code	Black	81088
Finish	Code						
Black	81088						
		<p>Junction - White electrical junction - internal (9003/W) Type linear. Material:PC, colour:white.</p>	<table border="1"> <thead> <tr> <th>Finish</th> <th>Code</th> </tr> </thead> <tbody> <tr> <td>White</td> <td>81039</td> </tr> </tbody> </table>	Finish	Code	White	81039
Finish	Code						
White	81039						
		<p>Junction - Black electrical junction - internal (9003/B) Type linear. Material:PC, colour:black.</p>	<table border="1"> <thead> <tr> <th>Finish</th> <th>Code</th> </tr> </thead> <tbody> <tr> <td>Black</td> <td>81040</td> </tr> </tbody> </table>	Finish	Code	Black	81040
Finish	Code						
Black	81040						
		<p>Junction - White power supply junction - central (9010/W) Type linear. Material:PC, colour:white.</p>	<table border="1"> <thead> <tr> <th>Finish</th> <th>Code</th> </tr> </thead> <tbody> <tr> <td>White</td> <td>81042</td> </tr> </tbody> </table>	Finish	Code	White	81042
Finish	Code						
White	81042						
		<p>Junction - White L junction - internal (9011/W) Type linear. Material:PC, colour:white.</p>	<table border="1"> <thead> <tr> <th>Finish</th> <th>Code</th> </tr> </thead> <tbody> <tr> <td>White</td> <td>81045</td> </tr> </tbody> </table>	Finish	Code	White	81045
Finish	Code						
White	81045						

		<p>Junction - White L junction - external (9012/W) Type linear. Material:PC, colour:white.</p>	<p>Finish White</p>	<p>Code 81048</p>
		<p>Junction - Flexible white junction (9018/W) Type flexible curve. Material:PC, colour:white.</p>	<p>Finish White</p>	<p>Code 81066</p>
		<p>Junction - White X junction (9017/W) Type linear. Material:PC, colour:white.</p>	<p>Finish White</p>	<p>Code 81063</p>
		<p>Junction - Left white T junction - external (9013/W) Type linear. Material:PC, colour:white.</p>	<p>Finish White</p>	<p>Code 81051</p>
		<p>Junction - Right white T junction - external (9014/W) Type linear. Material:PC, colour:white.</p>	<p>Finish White</p>	<p>Code 81054</p>
		<p>Junction - Left white T junction - internal (9015/W) Type linear. Material:PC, colour:white.</p>	<p>Finish White</p>	<p>Code 81057</p>
		<p>Junction - Right White T junction - internal (9016/W) Type linear. Material:PC, colour:white.</p>	<p>Finish White</p>	<p>Code 81060</p>
		<p>Junction - Black power supply junction - centrale (9010/B) Type linear. Material:PC, colour:black.</p>	<p>Finish Black</p>	<p>Code 81043</p>

		<p>Junction - Black L junction - internal (9011/B) Type linear. Material:PC, colour:black.</p>	<p>Finish Black</p>	<p>Code 81046</p>
		<p>Junction - Black L junction - external (9012/B) Type linear. Material:PC, colour:black.</p>	<p>Finish Black</p>	<p>Code 81049</p>
		<p>Junction - Flexible black junction (9018/B) Type flexible curve. Material:PC, colour:black.</p>	<p>Finish Black</p>	<p>Code 81067</p>
		<p>Junction - Black X junction (9017/B) Type linear. Material:PC, colour:black.</p>	<p>Finish Black</p>	<p>Code 81064</p>
		<p>Junction - Black left T junction - external (9013/B) Type linear. Material:PC, colour:black.</p>	<p>Finish Black</p>	<p>Code 81052</p>
		<p>Junction - Right black T junction - external (9014/B) Type linear. Material:PC, colour:black.</p>	<p>Finish Black</p>	<p>Code 81055</p>
		<p>Junction - Left black T junction - internal (9015/B) Type linear. Material:PC, colour:black.</p>	<p>Finish Black</p>	<p>Code 81058</p>
		<p>Junction - Right black T junction - internal (9016/B) Type linear. Material:PC, colour:black.</p>	<p>Finish Black</p>	<p>Code 81061</p>



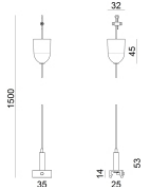
Suspensions - 1.5m white pendant luminaires kit (9000-KIT3-1,5-W)
Material:plastic, colour:white.

Code
81006



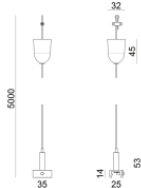
Suspensions - 5m white pendant luminaires kit (9000-KIT3-5-W)
Material:plastic, colour:white.

Code
81007



Suspensions - 1.5m black pendant luminaires kit (9000-KIT3-1,5-B)
Material:plastic, colour:black.

Code
81008



Suspensions - 5m black pendant luminaires kit (9000-KIT3-5-B)
Material:plastic, colour:black.

Code
81009



Suspensions - White rigid suspension clip (S-9000-P2-W)
Material:plastic, colour:white.

Code
81018



Suspensions - Black rigid suspension clip (S-9000-P2-B)
Material:plastic, colour:black.

Code
81019



Suspensions - White rigid suspension 1m (S-9000-P3-W)
Material:plastic, colour:white.

Code
81021



Suspensions - Black rigid suspension 1m (S-9000-P3-B)
Material:plastic, colour:black.

Code
81022

		<p>Cable cover - White recessed cover (S-9001-R/6-W) Material:PC, colour:white.</p>	<p>Code <u>81069</u></p>
		<p>Cable cover - White cover for recessed junction (S-9010-R/6-W) Material:PC, colour:white.</p>	<p>Code <u>81072</u></p>
		<p>Cable cover - White cover for recessed L junction (S-9011-R/6-W) Material:PC, colour:white.</p>	<p>Code <u>81075</u></p>
		<p>Cable cover - White cover for recessed T junction (S-9013-R/6-W) Material:PC, colour:white.</p>	<p>Code <u>81078</u></p>
		<p>Cable cover - White cover for recessed X junction (S-9017-R/6-W) Material:PC, colour:white.</p>	<p>Code <u>81081</u></p>
		<p>Cable cover - Black recessed cover (S-9001-R/6-B) Material:PC, colour:black.</p>	<p>Code <u>81070</u></p>
		<p>Cable cover - Black cover for recessed junction (S-9010-R/6-B) Material:PC, colour:black.</p>	<p>Code <u>81073</u></p>
		<p>Cable cover Material:PC, colour:black.</p>	<p>Code <u>81076</u></p>

		<p>Cable cover - Black cover for recessed T junction (S-9013-R/6-B) Material:PC, colour:black.</p>	<p>Code <u>81079</u></p>
		<p>Cable cover - Black cover for recessed X junction (S-9017-R/6-B) Material:PC, colour:black.</p>	<p>Code <u>81082</u></p>
		<p>Cable cover Material:white.</p>	<p>Code <u>83249</u></p>
		<p>Cable cover Material:black, colour:black.</p>	<p>Code <u>83250</u></p>
		<p>White three-phase/DALI adapter (9009/W)</p>	<p>Code <u>81094</u></p>
		<p>White three-phase adapter (9009-4/W)</p>	<p>Code <u>81091</u></p>
		<p>Black three-phase/DALI adapter (9009/B)</p>	<p>Code <u>81095</u></p>
		<p>Black three-phase adapter (9009-4/B)</p>	<p>Code <u>81093</u></p>

	Tool - Cutter S-9000/T	Code	
		81005	
		Track - Three-phase Recessed White DALI Track, 1 m (9000-1/W-R) Length: 1000mm; Type of track: Standard. Material:Aluminium, colour:White, processing:Coating.	Finish White Code 80990
		Track - Three-phase Recessed White DALI Track, 2 m (9000-2/W-R) Length: 2000mm; Type of track: Standard. Material:Aluminium, colour:White, processing:Coating.	Finish White Code 80991
		Track - Three-phase Recessed White DALI Track, 3 m (9000-3/W-R) Length: 3000mm; Type of track: Standard. Material:Aluminium, colour:White, processing:Coating.	Finish White Code 80992
		Track - Three-phase Recessed Grey DALI Track, 1 m (9000-1/B-R) Length: 1000mm; Type of track: Standard. Material:Aluminium, colour:Black, processing:Coating.	Finish Black Code 80993
		Track - Three-phase Recessed Black DALI Track, 2 m (9000-1/B-R) Length: 2000mm; Type of track: Standard. Material:Aluminium, colour:Black, processing:Coating.	Finish Black Code 80994
		Track - Three-phase Recessed Black DALI Track, 3 m (9000-3/B-R) Length: 3000mm; Type of track: Standard. Material:Aluminium, colour:Black, processing:Coating.	Finish Black Code 80995
		Track Length: 1000mm; Type of track: Standard. Material:Aluminium, colour:White, processing:Coating.	Finish White Code 83336

		<p>Track Length: 2000mm; Type of track: Standard. Material:Aluminium, colour:White, processing:Coating.</p>	<table border="1"> <thead> <tr> <th>Finish</th> <th>Code</th> </tr> </thead> <tbody> <tr> <td>White</td> <td>83337</td> </tr> </tbody> </table>	Finish	Code	White	83337
Finish	Code						
White	83337						
		<p>Track Length: 3000mm; Type of track: Standard. Material:Aluminium, colour:White, processing:Coating.</p>	<table border="1"> <thead> <tr> <th>Finish</th> <th>Code</th> </tr> </thead> <tbody> <tr> <td>White</td> <td>83338</td> </tr> </tbody> </table>	Finish	Code	White	83338
Finish	Code						
White	83338						
		<p>Track Length: 1000mm; Type of track: Standard. Material:Aluminium, colour:Black, processing:Coating.</p>	<table border="1"> <thead> <tr> <th>Finish</th> <th>Code</th> </tr> </thead> <tbody> <tr> <td>Black</td> <td>83339</td> </tr> </tbody> </table>	Finish	Code	Black	83339
Finish	Code						
Black	83339						
		<p>Track Length: 2000mm; Type of track: Standard. Material:Aluminium, colour:Black, processing:Coating.</p>	<table border="1"> <thead> <tr> <th>Finish</th> <th>Code</th> </tr> </thead> <tbody> <tr> <td>Black</td> <td>83340</td> </tr> </tbody> </table>	Finish	Code	Black	83340
Finish	Code						
Black	83340						
		<p>Track Length: 3000mm; Type of track: Standard. Material:Aluminium, colour:Black, processing:Coating.</p>	<table border="1"> <thead> <tr> <th>Finish</th> <th>Code</th> </tr> </thead> <tbody> <tr> <td>Black</td> <td>83341</td> </tr> </tbody> </table>	Finish	Code	Black	83341
Finish	Code						
Black	83341						
	<p>Diffuser Diffuser Type: elliptical filter. Material:Pom-C, colour:Black.</p>	<table border="1"> <thead> <tr> <th>Code</th> </tr> </thead> <tbody> <tr> <td>99797</td> </tr> </tbody> </table>	Code	99797			
Code							
99797							
	<p>Anti-glare Anti-glare Type: honeycomb louvre. Material:Pom-C, colour:Black.</p>	<table border="1"> <thead> <tr> <th>Code</th> </tr> </thead> <tbody> <tr> <td>99798</td> </tr> </tbody> </table>	Code	99798			
Code							
99798							
	<p>Anti-glare Anti-glare Type: cylindrical screen. Material:Pom-C, colour:Black.</p>	<table border="1"> <thead> <tr> <th>Code</th> </tr> </thead> <tbody> <tr> <td>99796</td> </tr> </tbody> </table>	Code	99796			
Code							
99796							

Optus_T | Projectors | Accessories
83909W60



Optics
 Light distribution: spot,Cover material: uv resistant polycarbonate

Code
99808



Optics
 Light distribution: medium flood,Cover material: uv resistant polycarbonate

Code
99809



Optics
 Light distribution: flood,Cover material: uv resistant polycarbonate

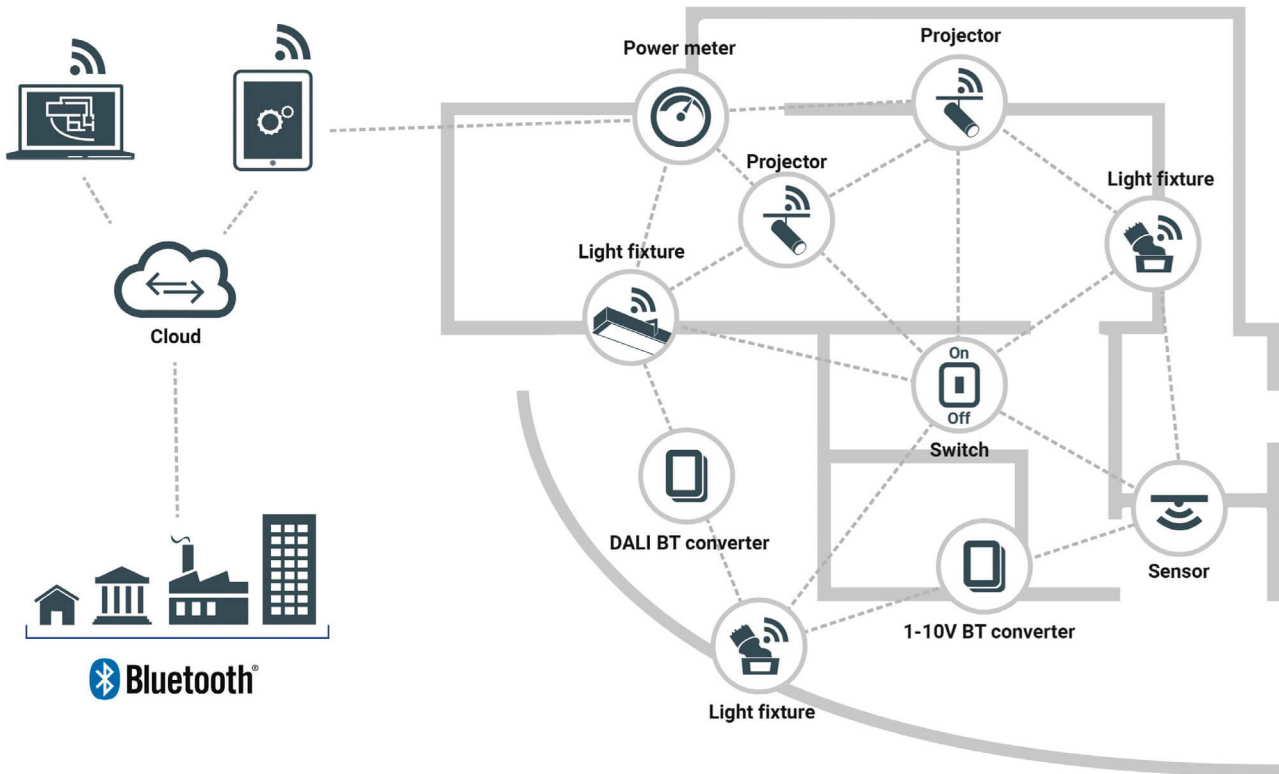
Code
99810



Optics - Focal kit (min 16° max 42°)
 Light distribution: adjustable,Cover material: aluminium

Code
99843

Wiring Diagram



Identify

The first time the device is turned on and every time it gets resetted, the system identify the lamps. The identification consists in an animation called "Attention event" with a 40% dimming for 500ms, 100% dimming for 500ms. The blue status LED blinks during identification too, 500msON/500ms OFF.

Bluetooth - Factory reset for Bluetooth device

A factory reset of the bluetooth device will change the device status in the network mesh from provisioned to not provisioned, all the network settings will be lost. This feature is necessary to reset the connection of a device which cannot be longer controlled. To perform the factory reset action on the device a magnet must be placed on the shown symbol on the box containing the bluetooth module. Keep contact for 5 seconds. Once the factory reset operation is done the system will identify the device.



Antenna

The antenna is incorporated into the article.

LED Blinking

The blue status LED placed on the box containing the Bluetooth interface performs a blink pattern depending on the lamp status.

Quick blinking/slow blinking

The LED blinks fast if the lamp is not connected to the network (every 300ms)
The LED blinks slowly if the lamp is connected to the network (every 2s)

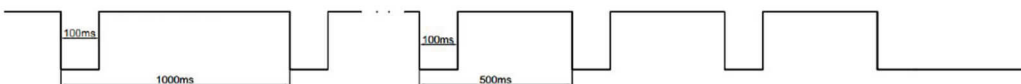
Unprovisioned



Provisioned



Factory Reset



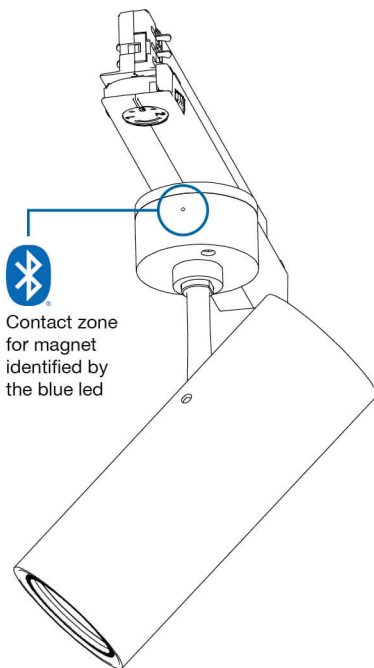
Mesh packet received



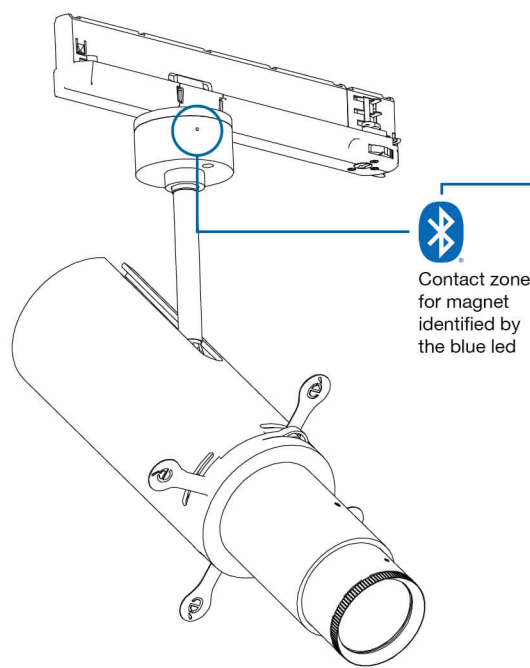
Other informations

- If the device is encased in a box, the wireless range may be affected, especially by metallic surfaces. Wireless range must be verified.
- Anunprovisioned device requires 30 seconds to be shown as available to provisioning after turning on
- The device successfully passed the SILVAIR test process
- Supporting EnOcean switch 83017
- Supporting Murata 83016 sensors
- The device can be operated with the SILVAIR app available for Apple phones and tablets
- Check the SILVAIR guide for more informations <https://silvair.com/resources/product-documents/>
- Linea Light has no responsibility for any third party instrument and does not provide any declaration, explicit or implicit, about the availability and/or the performances of said instrument.

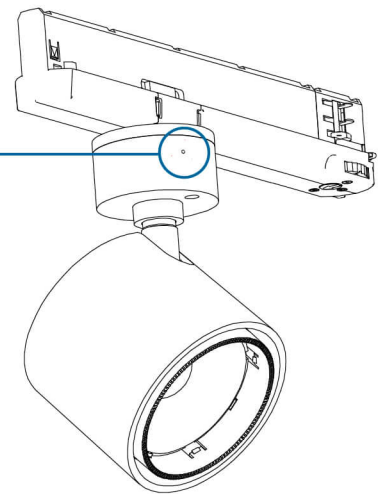
POUND_T POUND FOCUS



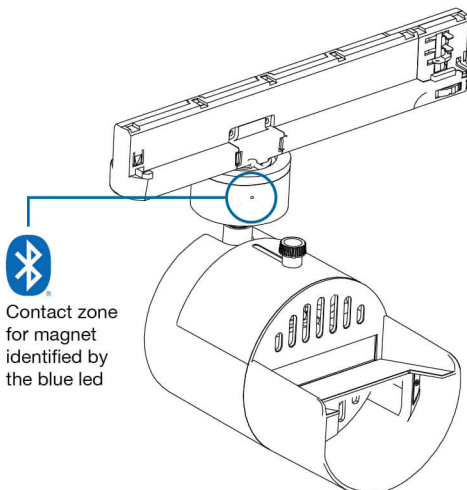
POUND SHAPER



OPTUS_T



OPTUS_Ww



Base NAVATA OPTUS NAVATA POUND SHAPER

